

Harrington Signal Inc.
2519 4th Avenue, Moline, Illinois 61265
P.O. Box 590, Moline, Illinois 61266-0590
Phone: (800) 577-5758 Local: (309) 762-0731 Fax: (309) 762-8215
Internet: www.harringtonfire.com



Description

I-Spy systems that have a short-circuit fault can potentially disable the whole loop, but by interspersing isolators along the loop only the small section between isolators will be affected by the short circuit fault.

The isolator uses a patented technique for recognizing a wiring short circuit. The isolators 'disconnect' the shorted portion of the loop from the rest. When the short circuit is removed the isolators automatically restore power and data to the section.

Isolators fit into a unique base that will not accept monitors or other products from the ranges. Unlike other devices, isolators are polarity sensitive.

The positive dc supply conductors must be connected to terminal "L2IN/OUT" and the negative dc supply conductors to terminal "LI IN and LI OUT".

In standby operation, the isolator provides a two-way power and data pathway with a low resistance of 0.2 typically and of 0.4 maximum. If the incoming or outgoing supply voltage falls below $15 \pm 1.5V$ the isolation circuit operates to isolate in the direction of the short circuit. It also causes the yellow LED to light up. The voltage sensing continues to operate and when the short circuit is repaired the isolator automatically reverts to its low resistance condition.



Features

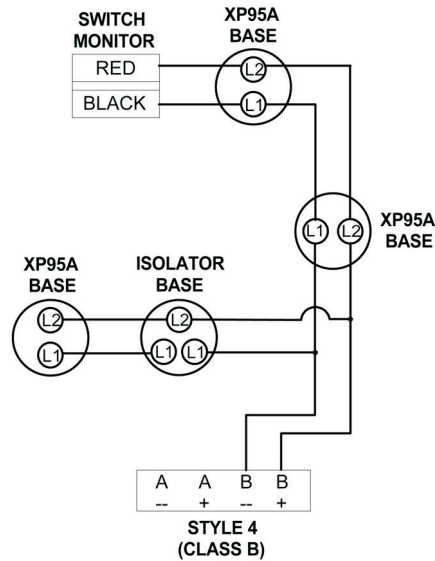
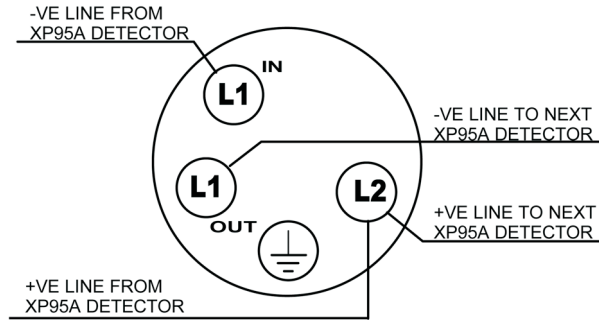
- Recognizing wiring short circuit by the voltage drop it causes
- Polarity sensitive
- Two-way power and data pathway

Ordering Information

Model Number	Part Number	Description
IS805	IS805	4" Isolator Base
IS810	IS810	Isolator

IS810 ISOLATOR BASE

The Isolator base is polarity sensitive connect positive line to L2 in-out and negative line to L1 in and L1 out. The I-Spy Isolator has been approved by UL for the use with the FireSpy® Tracker 1000, 2000, and 8000 Fire Alarm System.



Technical Specifications

Base Part Number.....	IS805
Isolator Type.....	2 way, bidirectional, polarity sensitive
Method of Isolation.....	Line resistance between LI IN and LI OUT increases to 39k under isolating condition, giving an effective "open circuit" in the negative line
Line Voltage	(normal operation) 17V - 40V
UL-approved temperature range.....	+32°F to +100°F
Humidity.....	0% to 95%, relative humidity
Line Resistance.....	(Typical at 75°F) 0.2
Line Volt-drop.....	(LI IN to LI OUT) 20mV at 100mA; 200mv at 1.0A
Transient Protection.....	Maximum clamping voltage 80V, shunt diode on polarity reversal
Dimensions.....	(Isolator in base) 41n. diameter, 1.3in. Height
Weight.....	Isolator 2.5oz, Base 1.6oz
Case Material.....	White Polycarbonate

NOTICE: The information contained in this document is intended only as a summary and is subject to change without notice. The devices described in this document have specific instruction sheets which cover various technical, limitation and liability information. Copies of these instruction sheets and the General Product Warning and Limitations Document, which also contains important information are provided with the product and are available from Harrington Signal Inc. Fire Alarm. Information contained in these documents should be consulted before specifying or using the product. For further information or assistance concerning particular problems contact Harrington Signal Inc. Harrington Signal Inc. Fire Alarm reserves the right to change specifications without notice. Quality manufactured for Harrington Signal by Apollo.