



Harrington Signal Inc.  
2519 4th Avenue, Moline, Illinois 61265  
P.O. Box 590, Moline, Illinois 61266-0590  
Phone: (800) 577-5758 Local: (309) 762-0731 Fax: (309) 762-8215  
Internet: www.harringtonfire.com



### Description

The IS813 Monitor Input-Output Module is designed to fit into a 4" junction box. The red indicating LED is visible through the cover plate.

This module has two modes of operation: (1) the module can be used to monitor any normally open contact fire alarm initiating system. When the device contacts close the module will transfer the onboard relay and send an alarm signal to the FACP (2). The other mode of operation is an output relay closure, which is controlled by signals from the FACP.

An eight position dip switch allows for setting the device address and whether the device being monitored is wired to the module as a Class A (Style D) or Class B (Style B) circuit.

### Features

- Monitor any normally open contact fire alarm initiating device
- As an output relay closure
- Eight position dip switch
- Visible red LED
- White polycarbonate housing
- Mounts in 4" box



### Ordering Information

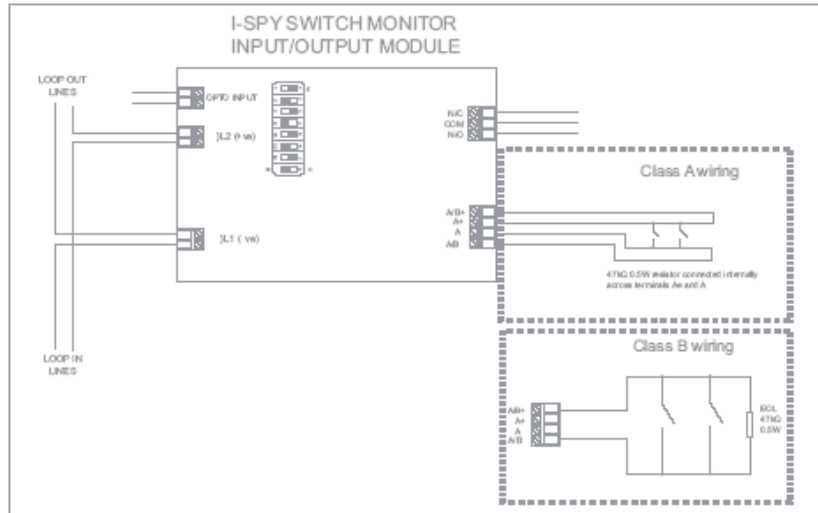
Model Number	Part Number	Description
IS813	IS813	Input Output module



## Notes for Class A and Class B

### Wiring

1. All wiring must conform to applicable local codes, ordinances and regulations. e.g. NFPA 72
2. Power supply connected to the module should be from the S3000, IPB-3, or independent, regulated, 24V DC, listed for fire protection, with battery backup and power limited per NFPA 72.
3. Relay contacts shown in RESET condition.
4. Select Class A or B mode using BIT 8 of DIL switch,
5. Relay rating, 900mA @ 30Vdc, 0.35pf, 400mA @Vac 0.35pf in fire protection applications,
6. Symbols represent normally open devices (compatible conventional detectors, pull stations, or switches).



## Technical Specifications

SLC wiring.....	Two wire supply, polarity insensitive
Supply Voltage.....	16-28 VDC
Current Consumption.....	(0.000850 A), 5mA max.6mA
Style.....	Styles 4, 6, and 7 switch selectable
Terminations.....	Screw terminals
Address Setting.....	Dip switch
Alarm Indicator.....	Red LED visible through cover plate
Monitored Device:	
Contact.....	Normally open
Terminations.....	Screw terminals
Class.....	Class A (Style D) or Class B (Style B) switch selectable
End-of-Line Resistor.....	47K
Output Circuit:	
Relay Rating.....	1 A @ 24VDC, 0.5A @ 120VAC
Contacts.....	Form C
Operating Temperature.....	-2°F to + 158°F
Humidity.....	0% to 95% relative humidity
Dimensions.....	4in. x 4in. x 1.3 in.
Weight.....	3oz.
Mounting.....	Centers to fit 4" box, NEMA OS-1-1989
Materials.....	Housing and cover plate is white polycarbonate V-O rated to UL 94.

NOTICE: The information contained in this document is intended only as a summary and is subject to change without notice. The devices described in this document have specific instruction sheets which cover various technical, limitation and liability information. Copies of these instruction sheets and the General Product Warning and Limitations Document, which also contains important information are provided with the product and are available from Harrington Signal Inc. Fire Alarm. Information contained in these documents should be consulted before specifying or using the product. For further information or assistance concerning particular problems contact Harrington Signal Inc. Harrington Signal Inc. Fire Alarm reserves the right to change specifications without notice. Quality manufactured for Harrington by Apollo.