

Harrington Signal Inc.
2519 4th Avenue, Moline, Illinois 61265
P.O. Box 590, Moline, Illinois 61266-0590
Phone: (800) 577-5758 Local: (309) 762-0731 Fax: (309) 762-8215
Internet: www.harringtonfire.com



Description

DH series fire door holders are constructed of the finest materials and workmanship available. The door holder is made of durable die-cast metal powder coated finish.

Other features include standard dual voltage ac or dc inputs of 12 & 24V, 24 & 120V, and 24 & 220V models. While reducing stocking requirements, model 24120 draws a mere .020 ma. @ 24VDC, lowering overall job costs. (in large installations the cost savings can be substantial).

Other feature: single or double coil floor mounting, surface mounting and direct wall mounting. No brackets are required. The DH series door holder offers a new installation technique using an adhesive template assuring alignment without secondary adjustment.

Accessories include extension and misalignment rods (in various lengths) enabling parallelism between door and wall at distances greater than 12 inches and misalignment over 4 inches.

Aiding in installation is the aircraft quality DH drill texture that reduces installation time and provides a near perfect alignment of catch-plate and armature again - lowering overall installation costs.

Basic units offer superior holding force and low residual magnetism. Models 1224 and 24120 can operate at higher listed voltages producing holding forces in excess of 100lbs. (45.3kg.) for special applications.



Standard Features:

- Very low current draw
- Dual Voltage inputs
- Terminal block connections
- High holding force
- Low residual magnetism
- Double chrome plating
- Mounting hardware & instructions

Optional Features:

- Double brass plating
- Extension and misalignment rods
- Surface mount back box
- Time saving drill fixture (for mounting catch plate)

Ordering Information

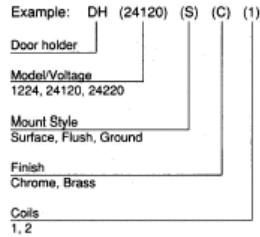
| Model Number | Part Number | Description |
|--------------|-------------|---|
| DH24120FPC1 | 358-0067 | 24VDC AC or 120VAC Semi flush mount, powder coated (chrome) |
| DH24120GPC2 | 358-0074 | 24VDC AC or 120VAC floor mount, powder coated (chrome), dual coil |
| DH24120SPC1 | 358-0069 | 24VDC AC or 120VAC surface mount, powder coated, (chrome) |
| DH24120GPC1 | 358-0072 | 24VDC AC or 120VAC floor |
| DHCPC | DHCPC | catch plate chrome round |
| DHE-1C | 358-0076 | 1" extension rod, chrome |
| DHE-3C | 358-0082 | 3" extension rod, chrome |
| DHE-4AC | 358-0084 | 4" extension rod, chrome |
| | | |
| | | |

ORDERING INFORMATION:

Door Holder Legend:

- DH = Door Holder
- F = Flush Mount
- S = Surface Mount
- G = Ground Mount
- P = Powder Coated
- C = Chrome Plating
- B = Brass Plating
- 1 = Single Coil
- 2 = Double Coil

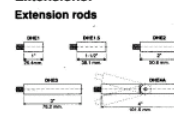
NOTE: #2 indicates double coil ground mount model.




ACCESSORIES

Extensions:

Extension rods

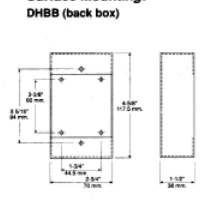


Extension Wrenches



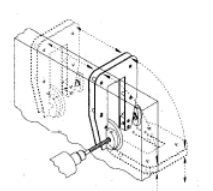
Surface Mounting:

DHBB (back box)



Installation Tools:

DHDF (drill fixture)



ACCESSORIES:

Extensions:

- DHEIG 1 inch extension chrome.
- DHEL B 1 inch extension brass.
- DHE15C 1-1/2 inch extension chrome.
- DHE15B 1-1/2 inch extension brass.
- DHE20 2 inch extension chrome.
- DHE28 2 inch extension brass.
- DHE3C 3 inch extension chrome.
- DHE3B 3 inch extension brass.
- DHEAC 4 inch adjustable extension chrome.
- DHEAB 4 inch adjustable extension brass.

Hardware:

- DHCPC Catch plate chrome.
- DHCPB Catch plate brass.
- DHDC Catch disc only chrome.
- DHDB Catch disc only brass.
- DHBBC Surface back box chrome.
- DHBBB Surface back box brass.

| MODEL | VOLTAGE | DC/mA | AC/mA | Terminals | LB. | KG. |
|-------|---------|-------|-------|-----------|-----|------|
| 1224 | 12V | .040 | 0.038 | C & L | 30 | 13.6 |
| | 24V | .040 | 0.036 | C & H | 30 | 13.6 |
| 24120 | 24V | .020 | 0.019 | C & L | 40 | 18.1 |
| | 120V | - | 0.020 | C & H | 35 | 15.8 |
| 24220 | 24V | .020 | 0.019 | C & L | 40 | 18.1 |
| | 220V | - | 0.015 | C & H | 25 | 11.3 |

NOTE: Holding forces listed in above table correspond with shaded values, non-shaded values are slightly less

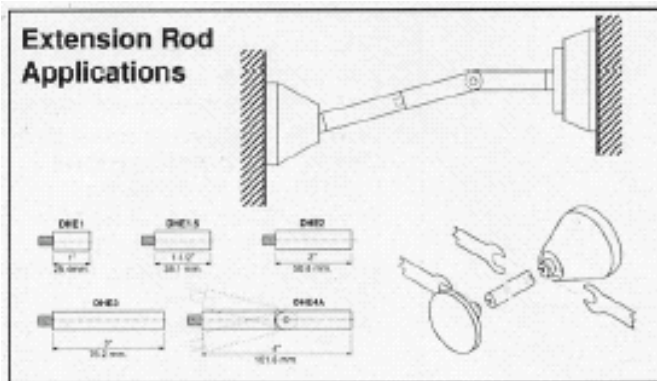
| MODEL | VOLTAGE | DC/mA | AC/mA | Terminals | LB. | KG. |
|-------|---------|-------|-------|-----------|-----|------|
| 1224 | 24V | 0.085 | 0.081 | C & L | 75 | 34.0 |
| 24120 | 120V | | 0.100 | C & L | 110 | 49.8 |

HIGH-HOLDING FORCE/SPECIAL APPLICATIONS: To obtain performance values

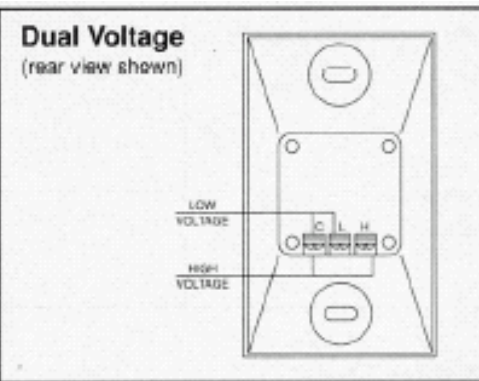
in table above apply high listed voltage to low voltage terminals (C & L)

NOTE: This configuration can only be applied to models 1224 & 24120.

Extension Rod Applications



Dual Voltage
(rear view shown)



NOTICE: The information contained in this document is intended only as a summary and is subject to change without notice. The devices described in this document have specific instruction sheets which cover various technical, limitation and liability information. Copies of these instruction sheets and the General Product Warning and Limitations Document, which also contains important information are provided with the product and are available from Harrington Signal Inc. Fire Alarm. Information contained in these documents should be consulted before specifying or using the product. For further information or assistance concerning particular problems contact Harrington Signal Inc. Harrington Signal Inc. Fire Alarm reserves the right to change specifications without notice.