

Harrington Signal Inc.
 2519 4th Avenue, Moline, Illinois 61265
 P.O. Box 590, Moline, Illinois 61266-0590
 Phone: (800) 577-5758 Local: (309) 762-0731 Fax: (309) 762-8215
 Internet: www.harringtonfire.com



Description

This unique and patented device has been helping stop false fire alarms without restricting legitimate alarms for more than a decade. Use proven in virtually every kind of public building around the world, Stopper II can dramatically reduce or in some cases even eliminate false fire alarms. It is available in many different models, with or without warning horn, for flush or surface mounting, and with remote power relay output capability. Stopper II may be ordered in red (green, yellow or blue with custom labeling as special order) for specialized applications.

Features

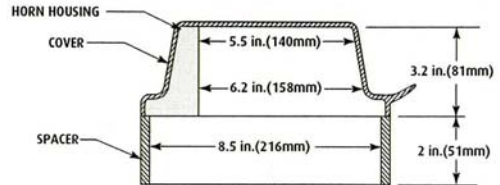
- Fits virtually all manual pull stations. Larger sizes and surface mounted pull stations accommodated with STI3100 Conduit spacer (order separately)
- Tested and accepted by fire prevention authorities and approved by testing organizations
- Cover is UV stabilized against sun deterioration.
- Available in red (blue, green or yellow as special order).
- Custom labeling available as special order.
- Unconditional lifetime guarantee of the Stopper II molded polycarbonate cover against breakage and damage -
- Can be used as a guard against physical damage to a manual pull station - - with or without a warning horn.



- Weather resistant gaskets available. UL requires stations to be listed for outdoor use with cover.
- Power source is a 9Vdc alkaline battery on standard Stopper II. (Separate powered 24Vdc unit is available).

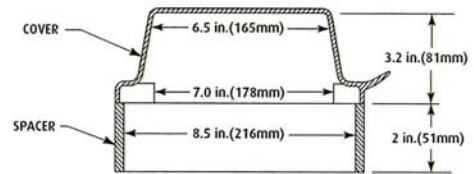
Ordering Information

Model Number	Part Number	Description
STI110	238-0109	With horn for flush mounting, 9Vdc
STI1130	238-0118	With horn and 2" spacer for surface mounting, 9Vdc
STI1200	238-0119	Without horn for flush mounting
STI1230	238-0120	Without horn, with 2" spacer for surface mounting
STI110R	238-0138	With horn for flush mounting, requires 24Vdc for operation
STI1130R	238-0139	Surface mounted version of the 1100R, includes 2" conduit spacer
STI110RC	238-0148	With horn and relay contact, requires 24Vdc for operation, for flush mounting
STI1130RC	238-0150	Surface mounted version of the 1100RC. Includes conduit acer
STI-3002	238-0147	Weather proof gasket4
STI-3003	238-0152	Neoprene weather proof conduit gasket (1/2" pipe)
STI-3004	238-0153	Neoprene weather proof conduit gasket (3/4" pipe)
STI-3100	238-0136	Conduit spacer, clear, 2"



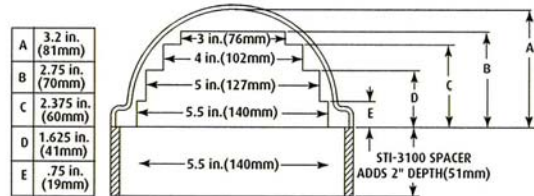
SIDE VIEW

MODELS WITH HORN (STI-1100 Series)

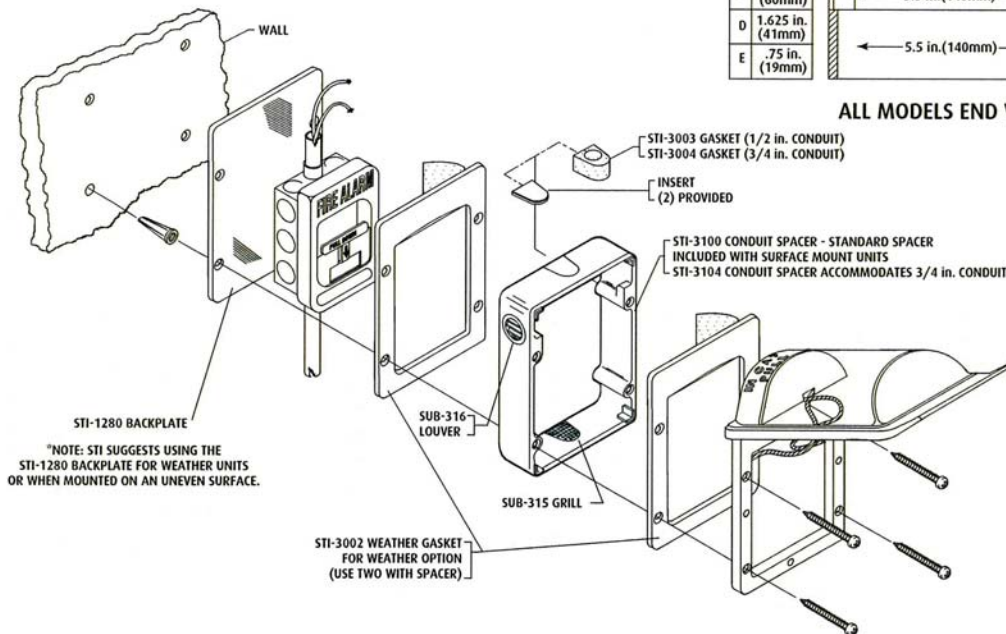


SIDE VIEW

MODELS WITHOUT HORN (STI-1200 AND STI-3150 Series)



ALL MODELS END VIEW



NOTICE: The information contained in this document is intended only as a summary and is subject to change without notice. The devices described in this document have specific instruction sheets which cover various technical, limitation and liability information. Copies of these instruction sheets and the General Product Warning and Limitations Document, which also contains important information are provided with the product and are available from Harrington Signal Inc. Fire Alarm. Information contained in these documents should be consulted before specifying or using the product. For further information or assistance concerning particular problems contact Harrington Signal Inc. Harrington Signal Inc. Fire Alarm reserves the right to change specifications without notice. Quality manufactured for Harrington Signal, Inc. By STI