

Harrington Signal Inc.
2519 4th Avenue, Moline, Illinois 61265
P.O. Box 590, Moline, Illinois 61266-0590
Phone: (800) 577-5758 Local: (309) 762-0731 Fax: (309) 762-8215
Internet: www.harringtonfire.com



Applications

The HAVE100 operates with any Fire Alarm Control Panel (FACP), and provides 100 watts of speaker power.

The HAVE100 includes all the necessary features to provide an effective voice evacuation system. With the addition of zone splitters, remote microphone panels, and expander modules, the HAVE100 can be custom configured to satisfy the needs of most applications.

The HAVE100 has its own power supply and battery charger. Panel must be wired with 120 VAC and have standby batteries connected. A digital message repeater (DMR) is built into the HAVE100. The selection of alarm tone and automatic message repeats, as well as the 6 Hour delay of the AC power failure reporting feature are all field configurable. The paging microphone is an integral component. Removal of the microphone from the panel will

cause a "Trouble" condition which will be reported locally, as well as through the FACP. The HAVE100 is housed in an attractive surface or semi-flush mounted back box, with a hinged and key locked door.

Features

- Dead-front construction
 - Digitally recorded automatic evacuation message (Special order up to 4 minutes of message capacity)
 - 25 or 70 VRMS field selectable
 - 120 VAC power supply and battery charger
 - Alarm pane works with analog / addressable and conventional fire alarm panel
 - 3 minute message restart on microphone key
 - 24 hour backup with four 12V 7Ahr batteries
- Made in the USA

Dimensions

Cabinet dimensions are: 14.5' x 27' x 4 w-h-d.



Standard Message - 15 Seconds:

'Attention Please, there has been a report of an emergency, Proceed calmly to the nearest exit and leave the building immediately. Do not use the elevators, use stairwells where necessary. All handicapped occupants shall use the building evacuation plan.'

Note: Other custom messages available by special order.

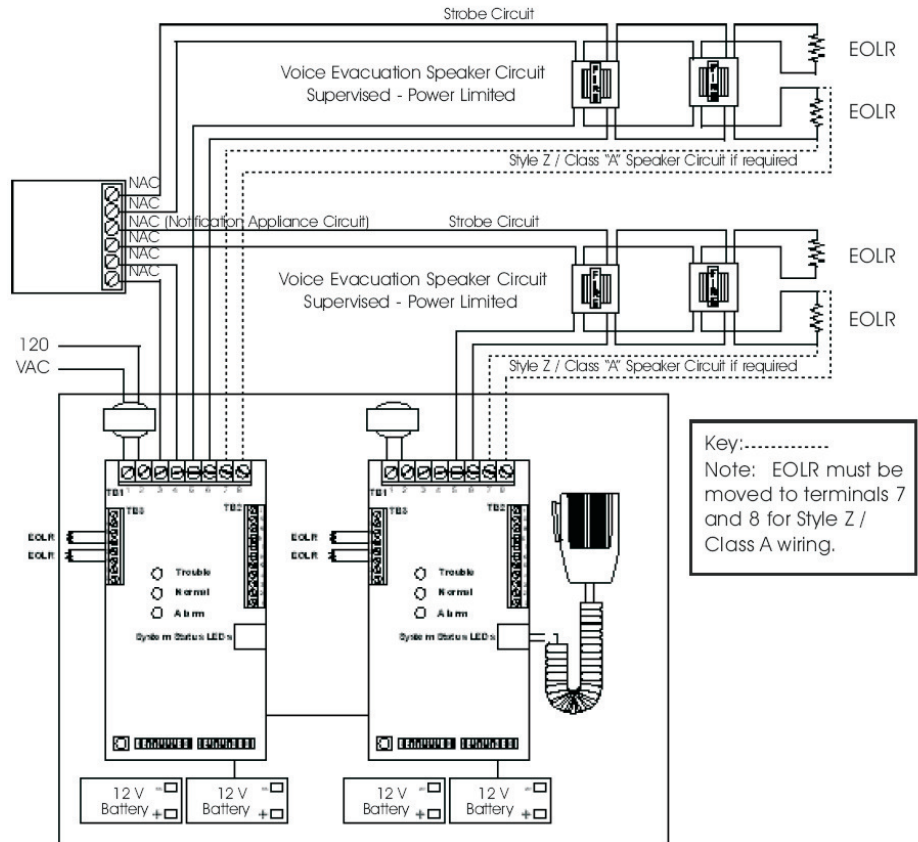
Ordering Information

Model Number	Part Number	Description
100HAVE	335-1000	100Watt 1 Zone Class B/A system with Digital Message, Paging Mic, and cabinet
100HAVE-8Z	335-1000Z8	100Watt 8 Zone Class B/A system with Digital Message, Paging Mic, and cabinet
100HAVE-12Z	335-1000Z12	100Watt 12 Zone Class B/A system with Digital Message, Paging Mic, and cabinet
100HAVE-16Z	335-1000Z16	100Watt 16 Zone Class B/A system with Digital Message, Paging Mic, and cabinet

Architect & Engineering Specifications

The voice evacuation system shall be Harrington Signal Inc. Series HAVE 100 or approved equal. The voice evacuation system shall be micro-processor based, and shall contain an integral microphone, audio amplifier, tone generator and digital message repeater. A 120 VAC power supply and battery charger for standby batteries shall be included. The voice evacuation message/signal shall be broadcast until the FACP is reset, or until fire emergency personnel interrupt the broadcast with a manual page, Remote paging microphones will be supported through a supervised circuit.

Wiring Diagram HAVE100 Series



Available Models

Model Number	Part Number	Watts	Speaker Zones	Class	Digital Message	Paging Microphon	Cabinet
100HAVE	335-1000	100	1*	B/A	Yes	Yes	Yes
100HAVE-8Z	335-1000Z8	100	8	B/A	Yes	Yes	Yes
100HAVE-12Z	335-1000Z12	100	12	B/A	Yes	Yes	Yes
100HAVE-16Z	335-1000Z16	100	16	B/A	Yes	Yes	Yes

*Consists of 1 zone all call with two separately wired speaker circuits.

Technical

Module	Characteristics	Description
M50	Primary Power	120VAC @ 0.6A
	24 VDC Battery Power	0.13A Standby 1.0A Alarm
	Output	50 Watts @ 25/70 VRSM Tone and Voice
M25	Primary Power	120VAC @ 0.8A Standby
	24 VDC Battery Power	0.18A Standby 1.0A Alarm
	Output	25 Watts @ 25/70 VRSM Tone and Voice
HAVE100	Backbox Dimension	14.5" w x 27" h x 4" d
	Color	Red- Standard

NOTICE: The information contained in this document is intended only as a summary and is subject to change without notice. The devices described in this document have specific instruction sheets which cover various technical, limitation and liability information. Copies of these instruction sheets and the General Product Warning and Limitations Document, which also contains important information are provided with the product and are available from Harrington Signal Inc. Fire Alarm. Information contained in these documents should be consulted before specifying or using the product. For further information or assistance concerning particular problems contact Harrington Signal Inc. Harrington Signal Inc. Fire Alarm reserves the right to change specifications without notice.