

Harrington Signal Inc.
2519 4th Avenue, Moline, Illinois 61265
P.O. Box 590, Moline, Illinois 61266-0590
Phone: (800) 577-5758 Local: (309) 762-0731 Fax: (309) 762-8215
Internet: www.harringtonfire.com



Description

The DFE 135/190 fixed temperature heat detector is suited for installation where high heat output fires are expected or in areas where ambient conditions would not allow use of other detection methods. Heat detectors are used for property protections. Do not rely on heat detectors for life safety protection. Where life safety is involved, smoke detectors must also be used.

The DFE 135/190 fixed temperature heat detector is suited to alarm in the presence of slowly rising temperatures. The construction of this model incorporates an oversized heat collector protected from damage by the built-in, durable plastic guard. The DFE 135/190 fixed temperature heat detector used the proven snap-disk principal of operation. This bi-metal disc deflects when temperature reaches a predetermined value. The disc deflection then causes a push-rod to close the internal contact resulting in an

alarm condition. The bi-metal disc returns to its normal shape when the heat subsides causing internal contacts to return to their normally open position. A standby condition is restored.

Automatic heat detectors shall be fixed temperature rated at 135°F for areas where ambient temperatures do not exceed 120°F and 190°F where ambient temperatures exceed 120°F but not 160°F. The fixed temperature element shall consist of a bi-metallic disc and actuator shaft. Electrical contacts shall be normally open, rated at 100mA @ 60VDC.

Heat detectors shall be installed in accordance with National Fire Protection Association Standard 72, the spacing assigned by Underwriters Laboratories, and in accordance with the rules and regulations set forth by the local authorities having jurisdiction. Automatic heat detectors shall be Underwriters Laboratories listed.



Features

- Choice of fixed temperature - 135F or 190F
- UL Listed ceiling spacing of 50' by 50' (2,500 square feet)
- Self-Restoring
- Heat element protected by a built in guard
- Contact rating of 100 mA
- Highly dependable
- Latching LED base available

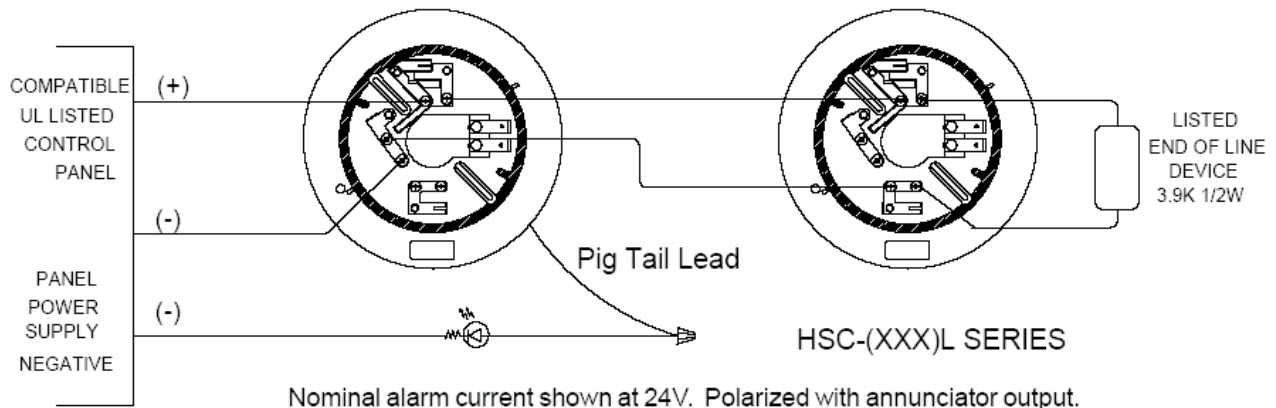
Ordering Information

Model Number	Part Number	Description
AL-DFE-135	AL-DFE-135	135 Degree Heat Detector
AL-DFE-190	AL-DFE-190	190Degree Heat Detector
HSC221L	HSC221L	2 wire base for heat detector w/LED
NS6-100	NS6-100	6" base for heat detector

HSC-(XXX)L HEAT DETECTOR BASE



The HSC-xxx L Series is a 6" base featuring a current limiting resistor, latching annunciator output and a latching circuit so the alarm LED will remain lit until the control panel has been reset. Heat detectors are not recognized as proper detection for life safety protection, therefore they should be utilized only for the protection of property.

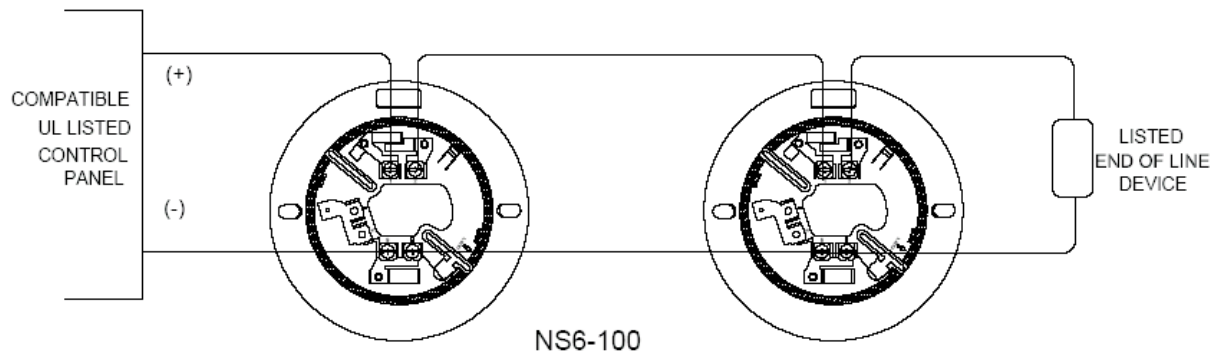


HSC-21L	24mA	HSC-221L	41mA
HSC-224L	38mA	HSC-220L	73mA

NS6-100 DETECTOR BASE



The NS6-100 is a 6" diameter base that has no current limiting nor annunciator output features. A direct short occurs across the loop when the detector is actuated. Heat detectors are not recognized as proper detection for life safety protection, therefore they should be utilized only for the protection of property.



Non polarized, not current limited. No annunciator output.

NOTICE: The information contained in this document is intended only as a summary and is subject to change without notice. The devices described in this document have specific instruction sheets which cover various technical, limitation and liability information. Copies of these instruction sheets and the General Product Warning and Limitations Document, which also contains important information are provided with the product and are available from Harrington Signal Inc. Fire Alarm. Information contained in these documents should be consulted before specifying or using the product. For further information or assistance concerning particular problems contact Harrington Signal Inc. Harrington Signal Inc. Fire Alarm reserves the right to change specifications without notice. Quality manufactured for Harrington by Hochiki.