

Harrington Signal Inc.  
2519 4th Avenue, Moline, Illinois 61265  
P.O. Box 590, Moline, Illinois 61266-0590  
Phone: (800) 577-5758 Local: (309) 762-0731 Fax: (309) 762-8215  
Internet: www.harringtonfire.com



## Applications

The Commander3 Series is a low profile strobe or horn/strobe combination that offers dependable audible and visual alarms and the lowest current available.

The G3 Series 24 VDC offers tamper-proof field selectable candela options for 15, 30, 60, 75, and 110 candela. The 12 VDC offers Tamper-proof field selectable candela options of 15, 30, 60, and 75 candela.

The Commander3 Series horn offers a continuous or sync-able temporal three in 2400 Hz and mechanical tone, a chime as well as a whoop tone. All tones are easy for the professional to change in the field by using switches.

The G3 Series has a minimal operation current and has a minimum flash rate of 1 Hz regardless of input voltage.

The Commander3 Series is shipped with the standard 4" mounting plate which incorporates the popular Super-Slide™ feature that allows the installer to easily test for supervision. The product also features a locking mechanism which secures the product to the bracket without any screws showing.

The Commander3 also features the Checkmate™ - Instant Voltage Verification feature which allows the installer to check the voltage without removing the signal.

The G3 Series appliances are UL 464 and UL 1971, listed for use with fire protective systems and are warranted for three years from date of purchase.

## Standard Features

- Nominal Voltage 12 & 24 VDC
- 24 VDC units have field selectable candela options of 15, 30, 60, 75, and 110 candela

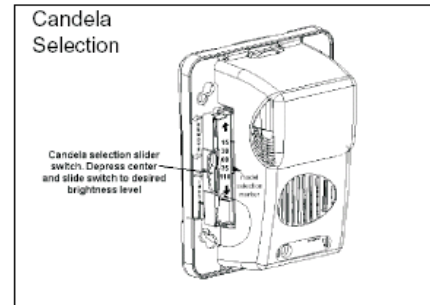
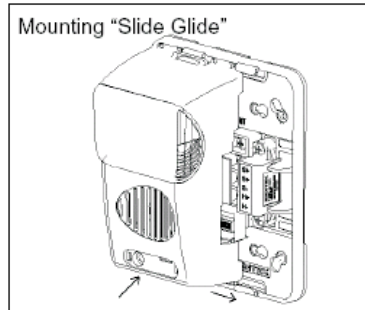


- 12 VDC units have field selectable candela options of 15, 30, 60, and 75 candela
- G3 horn is available in 12 or 24 Volt
- Unit Dimensions: 5" high x 4.5" wide x 2.5" deep
- Pre-wire Entire System, Then Install Your Signals
- Super-Slide™ Bracket Ease of Supervision Testing
- Checkmate™ - Instant Voltage Verification
- Lower Installation and Operating Costs
- Input Terminals 12 to 18 AWG
- Switch Selection for High or Low dBA
- Switch for Chime, Whoop, Mechanical and 2400 Hz Tone

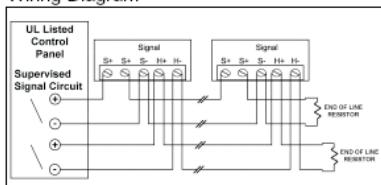
## Ordering Information

Model Number	Part Number	Description
SSG3-24WR	360-3300R	Red 24V selectable candela low profile strobe
SSG3-24WW	360-3300W	White 24V selectable candela low profile strobe
HSG3-24WR	360-3100R	Indoor horn strobe, wall mount, red
HSG3-24WW	360-3100W	Indoor horn strobe, wall mount, white
AVSM	360-1504R	Sync module for 24VDC

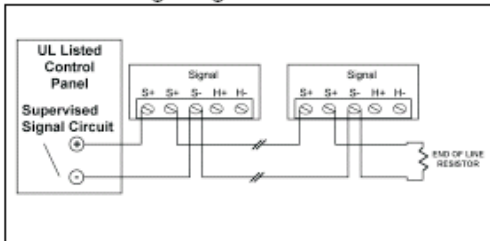
- Switch for Continuous or Temporal 3 (not available on whoop tone)
- Tamper-proof Re-entrant Grill
- Surface Mount with the GSB (Gentex Surface Mount Box)
- Synchronize Strobe and/or Horn with AVSM Series Control Module (12 Volt product must use the AVSM Module).
- Silence Horn While Strobes Remain Flashing
- Wide Voltage Range 8-17.5 VDC (12 Volt Models)
- 16-33 VDC or FWR (24 Volt Models)
- Faceplate Available in Red or Off-White



Conventional G3 Series Horn Strobe Wiring Diagram



Conventional G3 Series Strobe Wiring Diagram



GE3-24 Product Strobe Current Ratings					
Candela	15cd	3-cd	60cd	75cd	110cd
24Vdc	30mA	35mA	66mA	80mA	103mA
UL Max	78mA	96mA	137mA	180mA	224mA

GE3-24 Product Horn Current Ratings			
Horn Mode	Minimum dBA @ 10 ft. per UL464 (HIGH)	Minimum dBA @ 10 ft. per UL464 (LOW)	Regulated 24Vdc Max. Operating @ High Setting (mA)
Temp 3 2400 Hz	78	71	28
Temp 3 Mechanical	76	70	25
Temp 3 Chime	70	66	15
Continuous 2400 Hz	81	74	28
Continuous Mechanical	80	72	25
Continuous Chime	70	66	15
Whoop	82	69	56

## Architect & Engineering Specifications:

The audible and/or visible signal shall be Gentex GE3 Series or approved equal and shall be listed by Underwriters Laboratories Inc. per UL 1971 and/or UL 464. The notification appliance shall also be tested with the California State Fire Marshal (CSFM) and the Bureau of Standards and Appeals (NYC).

The notification appliance (combination audible/visible) shall produce a peak sound output of 100dBA or greater at 12 or 24V as measured in an anechoic chamber. The signaling appliance shall also have the capability to silence the audible signal while leaving the visible signal energized with the use of a single pair of power wires. Additionally, the user shall be able to select either continuous or temporal tone output with the temporal signal having the ability to be synchronized.

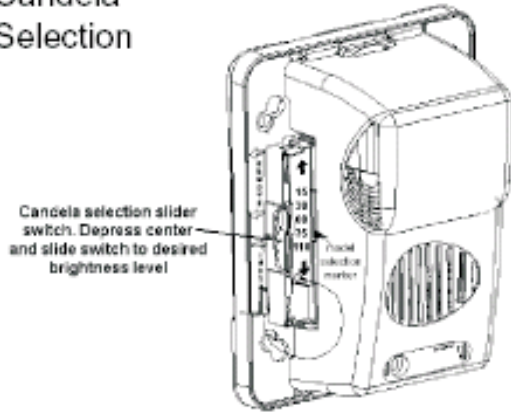
Unit shall be capable of being installed so that any unauthorized attempt to change the candela setting will result in a trouble signal at the fire alarm control panel.

The audible/visible and visible signaling appliance shall also maintain a minimum flash rate of 1 Hz or up to 2 Hz regardless of power input voltage. The appliance shall have an operating current of 55mA or less at 24 VDC for the 15cd strobe circuit and 106mA or less at 12 VDC for the 15cd strobe circuit.

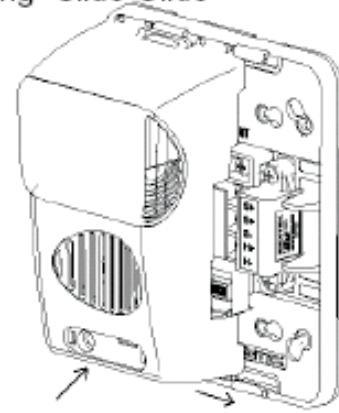
- The appliance shall be polarized to allow for electrical supervision of the system wiring. The unit shall be provided with a mounting bracket with terminals with barriers for input/output wiring and be able to mount to a single gang or double gang box or double workbox without the use of an adapter plate. The unit shall have an input voltage range of 16-33 volts with either direct current of full wave rectified power for 24 volt models or a voltage range of 8-17.5 volts for 12 volt models.
- The appliance shall be capable of testing supervision without disconnecting wires. Also the appliance shall be capable of mounting to a surface back box. The unit shall also be able to verify the voltage at the unit without removing unit.



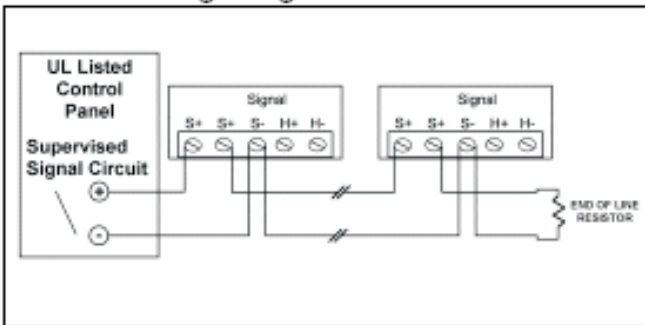
**Candela Selection**



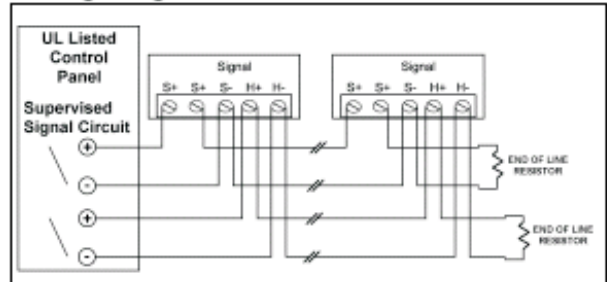
**Mounting "Slide Glide"**



**Conventional G3 Series Strobe Wiring Diagram**



**Conventional G3 Series Horn Strobe Wiring Diagram**



NOTICE: The information contained in this document is intended only as a summary and is subject to change without notice. The devices described in this document have specific instruction sheets which cover various technical, limitation and liability information. Copies of these instruction sheets and the General Product Warning and Limitations Document, which also contains important information are provided with the product and are available from Harrington Signal Inc. Fire Alarm. Information contained in these documents should be consulted before specifying or using the product. For further information or assistance concerning particular problems contact Harrington Signal Inc. Harrington Signal Inc. Fire Alarm reserves the right to change specifications without notice.