



# AVSM & AVS44

Gangable Synchronization Control Module

Harrington Signal Inc.  
 2519 4th Avenue, Moline, Illinois 61265  
 P.O. Box 590, Moline, Illinois 61266-0590  
 Phone: (800) 577-5758 Local: (309) 762-0731 Fax: (309) 762-8215  
 Internet: www.harringtonfire.com



## Description

The AVSM control module is designed to provide an easy way to synchronize multiple horns as well as strobe light flashes using only two wires in those instances where a synchronized flash is required.

The control module has the capability to synchronize multiple horn signals with a code 3 temporal pattern and the ability to silence the horn while allowing the strobes to continue to flash.

By incorporating the control module as shown in the following drawings, the control module will control the power to the horns to produce the synchronized operation. In unison mode, the horn cannot be silenced while maintaining strobe operation.

The AVSM is warranted for three years from date of purchase.

## Features

- Option to Silence the Horn While Strobes Continue to Flash
- Synchronize Horn and Strobe With the Use of Only Two Wires
- Easy to Install Module is Rated for 3 Amps
- Module is Rated for 3 Amps Continuous Current and 5 Amps Surge or Inrush Current
- Synchronizes to 1Hz Flash Rate
- Operates 1 Class 'A' Circuit or 2 Class 'B' Circuits at 3 Amps per Circuit.
- Dual Synchronization Module only when using the 2 class 'B' circuits.
- The AVSM *WILL NOT* operate the ST/HS Series
- Three Year Warranty from date of purchase.

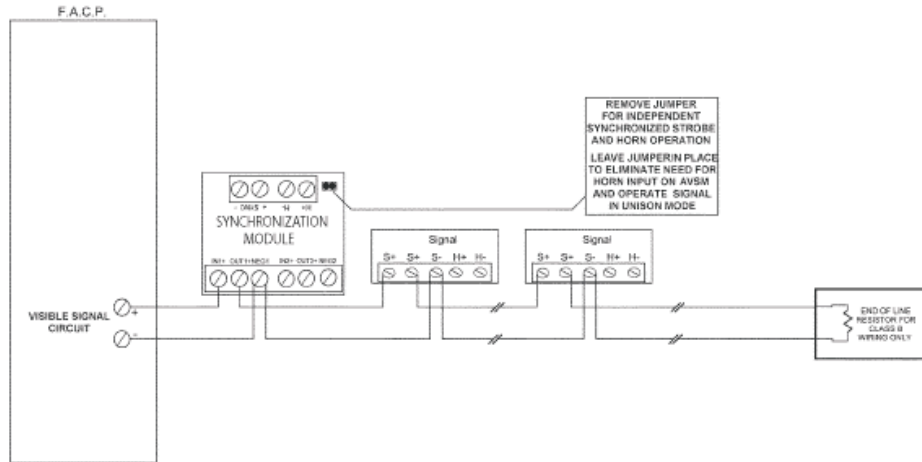


AVSM

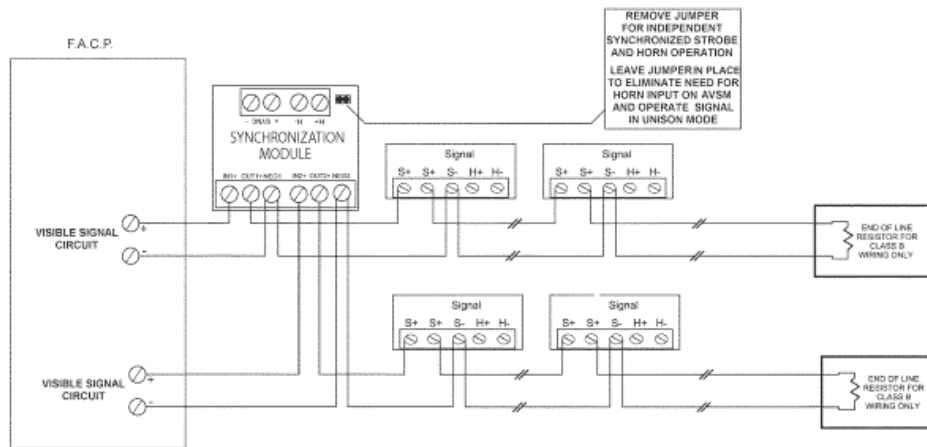
## Ordering Information

Model Number	Part Number	Description
AVSM-R	AVSM-R	Gangable Synchronization Control Module, Red
AVSM-W	AVSM-W	Gangable Synchronization Control Module, White

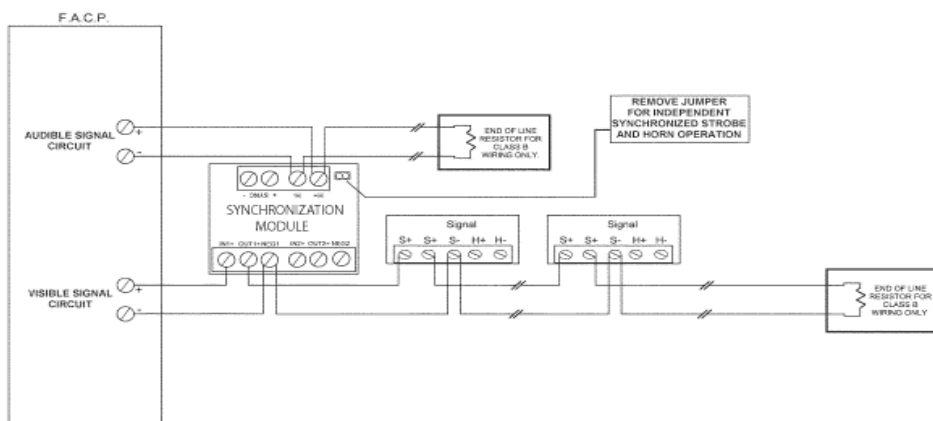
**Diagram 1**  
Wiring for One Class B Circuit with Strobe/Horn Operating in Unison



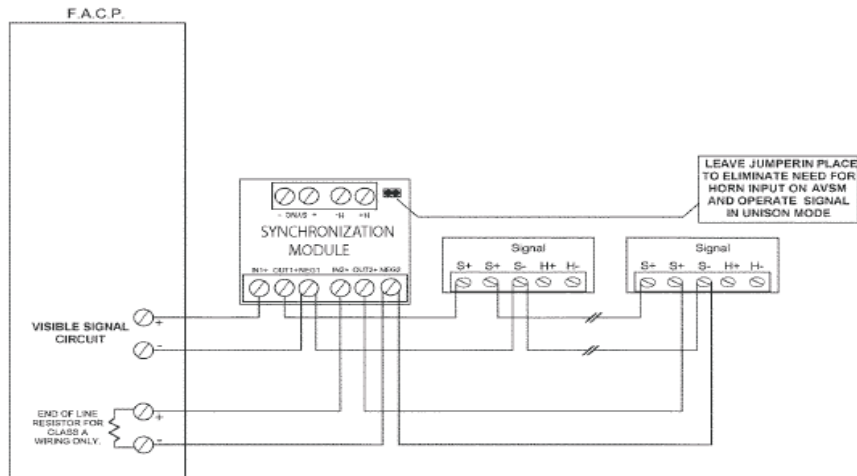
**Diagram 2**  
Wiring for Two Class B Circuits with Strobe/Horn Operating in Unison



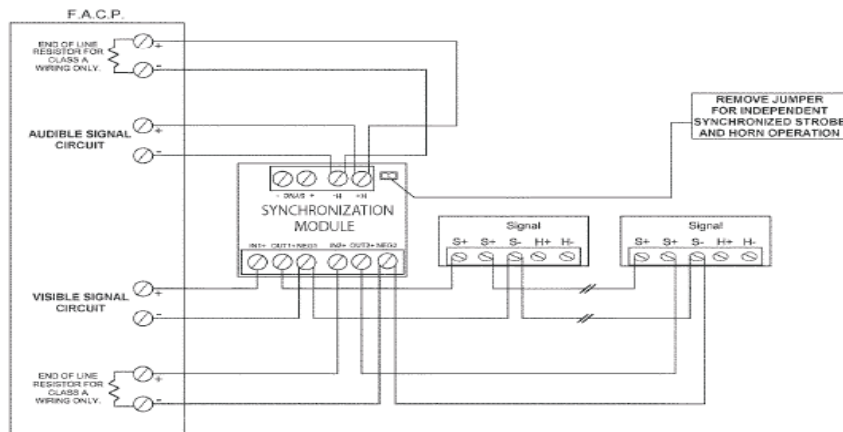
**Diagram 3**  
Wiring for One Class B Circuit with Strobe/Horn Operating Independently



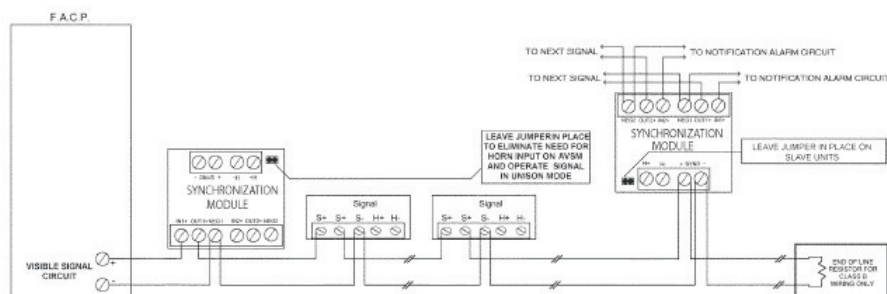
**Diagram 4**  
Wiring for One Class A Circuit with Strobe/Horn Operating in Unison



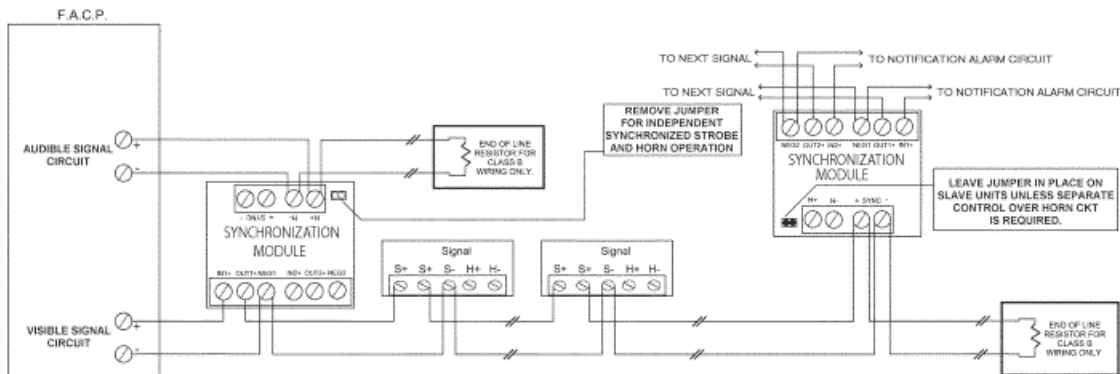
**Diagram 5**  
Wiring for One Class A Circuit with Strobe/Horn Operating Independently



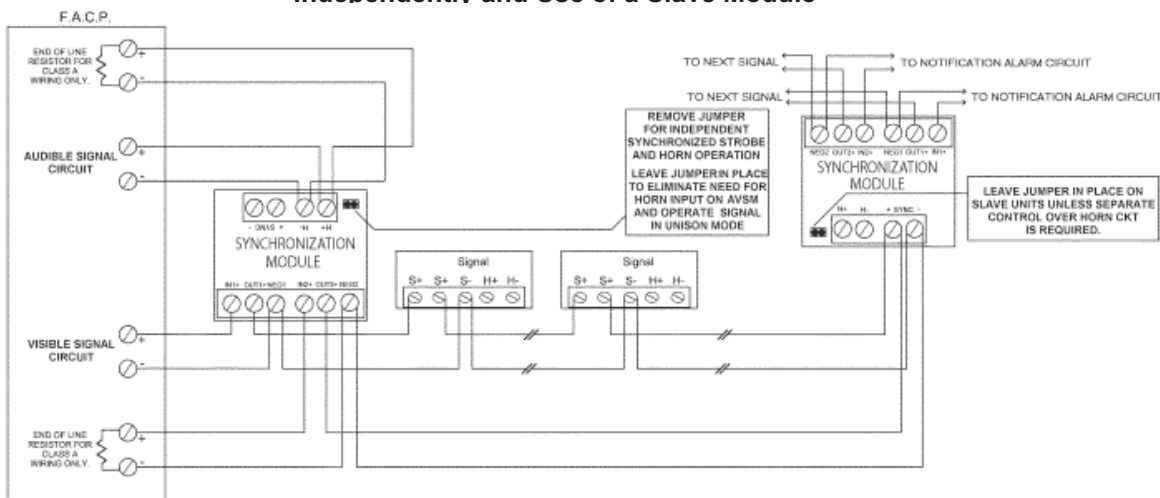
**Diagram 6a**  
Wiring for One Class B Circuit with Strobe/Horn Operating in Unison and Use of Slave Module



**Diagram 6b**  
**Wiring for One Class B Circuit with Strobe/Horn Operating Independently and Use of Slave Module**



**Diagram 7**  
**Wiring for One Class A Circuit with Strobe/Horn Operating Independently and Use of a Slave Module**



**Note:** When using the Commander 2, 3 & 4 Series incoming positive power lead must be broken and each lead is to be inserted into each of the top two terminals. If two power runs are made to the signal, one for the strobe and one for the horn, only one of the runs must have its positive lead broken and placed under the two separate top terminals. A barrier is provided to prevent both leads from being placed under the same terminal.

**NOTE:** The AVS Modules are listed per UL 1971/Signaling Appliances for the Hearing Impaired with a voltage range of 8-33 VDC/fwr and CAN/ULC S526-M87, Visual Signaling Appliances, with a voltage range of 10 VDC/fwr to 30 VDC/fwr - 20% +10%. It is for indoor use only, with a temperature range of 0°C - 49°C (32°F - 120°F) and a maximum humidity of 93%RH.  
**CAUTION:** The AVS Modules are to be connected only to circuits that provide continuously applied voltage. Do not use this module on coded or interrupted circuits in which the voltage is cycled on and off.

NOTICE: The information contained in this document is intended only as a summary and is subject to change without notice. The devices described in this document have specific instruction sheets which cover various technical, limitation and liability information. Copies of these instruction sheets and the General Product Warning and Limitations Document, which also contains important information are provided with the product and are available from Harrington Signal Inc. Fire Alarm. Information contained in these documents should be consulted before specifying or using the product. For further information or assistance concerning particular problems contact Harrington Signal Inc. Harrington Signal Inc. Fire Alarm reserves the right to change specifications without notice. Quality manufactured for Harrington Signal by Gentex.