



Harrington Signal Inc.
2519 4th Avenue, Moline, Illinois 61265
P.O. Box 590, Moline, Illinois 61266-0590
Phone: (800) 577-5758 Local: (309) 762-0731 Fax: (309) 762-8215
Internet: www.harringtonfire.com



Description

Harrington Signal Inc Model ASHP PowerTone® Amplified Speaker produces a crisp, clear, high-decibel tone and / or voice signal. A tone can be generated by using the U-TC card, or a voice can be generated by any 25 or 70Vrms audio system with the PTCK card. The speaker cone and projector is made of spun aluminum.

The amplified speaker is NEMA 3 rated, and is finished in red en-amel. Model ASHP Amplified Speakers operate at 24 VDC and are polarized for connection to system supervised alarm notification circuits.

The speaker is listed for indoor and outdoor use. Weatherproof and corrosion-resistant surface mount speaker is required.

Application

The PowerTone® Amplified Speaker is well suited for signaling in areas with high ambient noise levels and where a unique audible signal is required. When used with a voice or tone generating system and PTCK25 connector card, the speaker can produce multiple tones for various signal requirements.

For single tone applications the universal tone card may be used. The speaker may be used with any compatible 25 or 70Vrms audio system by using the PTCK25 or PTCK70 connector card. The speaker can be indoor or outdoor mounted. The ASHP is NEMA 3 rated.



Features

- 24 VDC polarized operation.
- UL sound pressure level (see Chart).
- Multiple tone capability.
- Wide selection of tones (single tone applications) U-TC.
- Voice capable with PTCK audio interface card
- Die-cast aluminum circuitry housing.
- Internal gain control.
- NEMA 3 rated enclosure.
- Indoor and outdoor mounting.
- Temperature Range: -40° to 151°F.

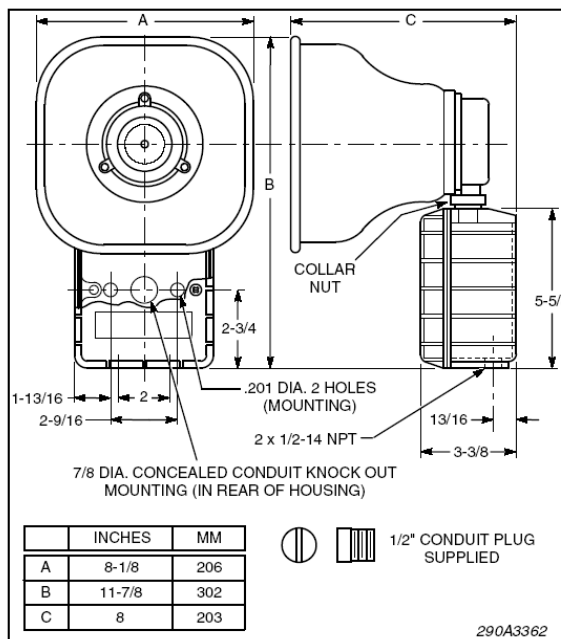
Ordering Information

Model Number	Part Number	Description
ASHP-24SMR	ASHP-24SMR	Amplified Speaker, 24VDC or 25/70VRMS, Red, Weatherproof
U-TC	U-TC	Universal Tone Card - Field Selectable to Desired Tone
PTCK25	PTCK25	25Vrms Connector Card - connects amplified spkrs to 25Vrms audio sys.
PTCK70	PTCK70	70Vrms Connector Card - connects amplified spkrs to 70Vrms audio sys.

Specifications

Alarm notification appliances shall be amplified speakers using solid-state circuitry. The speakers shall operate at 24 VDC. The amplified speaker circuitry shall be housed in a die-cast, dust and moisture proof aluminum housing which is NEMA 3 rated. The speaker cone and projector shall be of spun aluminum. The entire unit shall have a red finish. The amplified speakers shall be capable of clearly reproducing any number of HSI tones. The tones shall be selectable by connection to a voice or tone generating signaling system using a PTCK25 connector card (for single or multiple tones) or a plug-in universal tone card for a select tone. The amplified speakers shall be compatible with any 25 or 70Vrms audio system using the PTCK25 or PTCK 70 connector card. The amplified speakers shall have an internal gain control for tone output adjustment. The amplified speakers shall be capable of indoor or outdoor mounting. The speakers shall be UL Listed for fire alarm signaling use. Alarm notification appliances shall be Harrington Signal Inc Model ASHP

Tone Card Sound (Model UTC)			Audible Frequency (Hz)	Repetition rate (cycles/min)	Audibility	
Selection	Name	Description			dB(A) Sound Power	UL dB(A) Sound Pressure
TM1	Wail	Conventional siren	550-1250	11	118.1	97.5
TM2	Yelp	Rapid siren	550-1250	3.3 Hz	118.0	97.4
TM3	Hi-Lo	Alternating high and low	560 and 760	50	116.9	96.3
TM4	Bell	Bell, struck repeatedly	800	50	115.8	95.2
TM5	Yeow	Descending high to low, repeated	1300 and 550	36	118.0	97.4
TM6	Horn	Steady horn	470	Continuous	112.2	91.6
TM7	Beep	Slow intermittent horn	470	50	110.8	90.2
TM8	Stutter	Rapid intermittent horn	470	5	110.3	89.7
TM9	Slow Whoop	Slow ascending, low to high - repeated	420 and 1160	15	116.1	95.5
TM10	Temporal Slow Whoop	NFPA coded slow whoop (fire alarm use only)	420 and 1160	15	113.9	93.3
Connector card model		Rated voltage				
PTCK25		25 VRMS			108.7	94.4
PTCK70		70 VRMS			109.0	94.1



NOTICE: The information contained in this document is intended only as a summary and is subject to change without notice. The devices described in this document have specific instruction sheets which cover various technical, limitation and liability information. Copies of these instruction sheets and the General Product Warning and Limitations Document, which also contains important information are provided with the product and are available from Harrington Signal Inc. Fire Alarm. Information contained in these documents should be consulted before specifying or using the product. For further information or assistance concerning particular problems contact Harrington Signal Inc. Harrington Signal Inc. Fire Alarm reserves the right to change specifications without notice.