

Harrington Signal Inc.
2519 4th Avenue, Moline, Illinois 61265
P.O. Box 590, Moline, Illinois 61266-0590
Phone: (800) 577-5758 Local: (309) 762-0731 Fax: (309) 762-8215
Internet: www.harringtonfire.com



Description

Harrington Signal Inc Model SPHP PowerTone® High Output Speaker produces a crisp, clear, high-decibel tone/voice output on any 25Vrms or 70Vrms tone/voice audio system. The speaker cone and projector are of spun aluminum. The speaker circuitry is contained in dust and moisture proof sealed housing of die-cast aluminum.

The speaker has a supervisory DC coupling capacitor and wattage taps from 0.5 to 15 watts. The speaker is NEMA 3 rated, and is finished in red enamel. The PowerTone® speaker is designed for connection to system supervised alarm notification circuits.

Features

- Operates on 25Vrms or 70Vrms signal lines.
- Multiple power taps @ 0.5, 1, 2, 7, and 15 watts.
- High dB output for coverage of large areas.
- UL sound pressure level 102dB(A) at 10 feet, (see chart).
- Built-in 15 watt high efficiency compression driver.
- Die-cast aluminum circuitry housing.
- Wide frequency response, 400-4000Hz.
- Supervisory capacitor.
- NEMA 3 rated enclosure.
- Indoor and outdoor mounting.



Ordering Information

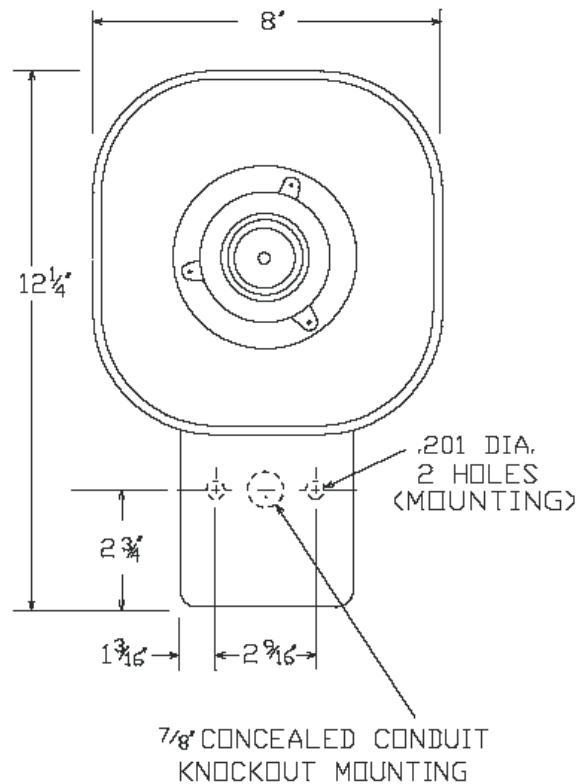
Model Number	Part Number	Description
SPHP-DVSMR	SPHP-DVSMR	High Output Speaker, Surface Mount, 25 Volt or 70 Volt, Red.

Alarm notification appliances shall be speakers using solid-state circuitry. The speaker circuitry shall include a supervisory capacitor and shall be housed in a die-cast, dust and moisture proof aluminum housing which is NEMA 3 rated. The speaker cone and projector shall be of spun aluminum. The entire unit shall have a red finish.

The speaker shall be capable of clearly reproducing alarm tones or voice on all 25Vrms or 70Vrms audio system. The speaker shall provide incremental wattage tap settings of 0.5, 1, 2, 7 and 15 watts. The speaker shall be capable of indoor or outdoor mounting. The speaker shall be capable of a UL sound pressure level at 10 feet of 102dB(A). The speakers shall be UL Listed for fire alarm signaling use. Alarm notification appliances shall be Harrington Signal Inc Model SPHP PowerTone® speakers.

The PowerTone® Speaker is well suited for signaling in areas with high ambient noise levels and where a high efficiency, weatherproof and corrosion-resistant surface mount speaker is required.

The speaker may be used with any 25Vrms or 70Vrms audio system. The speaker can be indoor or outdoor mounted. The SPHP is NEMA 3 rated.



NOTICE: The information contained in this document is intended only as a summary and is subject to change without notice. The devices described in this document have specific instruction sheets which cover various technical, limitation and liability information. Copies of these instruction sheets and the General Product Warning and Limitations Document, which also contains important information are provided with the product and are available from Harrington Signal Inc. Fire Alarm. Information contained in these documents should be consulted before specifying or using the product. For further information or assistance concerning particular problems contact Harrington Signal Inc. Harrington Signal Inc. Fire Alarm reserves the right to change specifications without notice.