



Harrington Signal Inc.  
2519 4th Avenue, Moline, Illinois 61265  
P.O. Box 590, Moline, Illinois 61266-0590  
Phone: (800) 577-5758 Local: (309) 762-0731 Fax: (309) 762-8215  
Internet: www.harringtonfire.com



**Description**

The NS6 and NS4 Series is designed specifically for use with Conventional Models SIJ-24 Ionization Smoke Detector, SLR-24 Photoelectric Smoke Detector, SLR-24H Photoelectric with Heat Smoke Detector, SLR-835 Photoelectric Smoke Detector, SLR-835H Photoelectric Smoke Detector with heat, or DCD-135/190 Fixed Temperature/Rate-of-Rise Heat Detector. The base is an electronics free 6" base featuring a plastic tamper-lock lug. Each base is equipped with a resistor. The NS4 base is a 4" version of the NS6 base.

Models HSC-224R, HSC-220R and HSC-221R are designed specifically for use with the Conventional Models SIJ-24, SLR-24V, SLR-24H, SLR-835, SLR-835H or DCD-135/190. The HSC-(X)R series is a 5" base with two sets of Form "C" relay contacts. Models HS-224R, HSC-220R and HSC-221R are also approved for use with the previous Conventional Models SIH-24F, SLK-24F, SLK-24FH and the DFE 135/190.

The HSC-4R is designed specifically for 24 volt 4 wire applications using Conventional Models SIJ-24, SLR-24V, SLR-24H, SLR-835, SLR-835H or DCD-135/190.

The 6" diameter base is current limited. Relay contact place a direct short occurs across the loop when the detector is actuated. Model HSC-4R is also approved for use with previous Conventional Models SIH-24F, SLK-24F, SLK-24FH and DFE 135/190.

The HSC-L Base Series is designed specifically for use with the Fixed Temperature Heat Detector Models DFE-135/190. The HSC-L Series is a 6" base featuring a current limiting resistor, latching annunciator output and a latching circuit so the alarm LED will remain lit until the control panel has been reset.

**Features**

- 4" or 6" base
- 2 or 4 wire operation
- 4 wire current limited relay
- 2 wire latching LED base

**NS6 AND NS4 SERIES BASE**



**HSC-(X)R RELAY BASE & HSC-4R 4 WIRE BASE**



**HSC-(X) L LATCHING LED BASE**



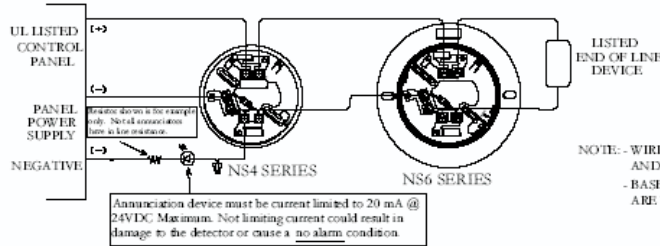
**Ordering Information**

Model Number	Part Number	Description
NS6-224	NS6-224	2 Wire Base, 24VDC, 43mA, 6"
NS6-220	NS6-220	2 Wire Base, 24VDC, 93mA, 6"
NS6-221	NS6-221	2 Wire Base, 24VDC, 46mA, 6"
HSC-224RA	HSC-224RA	2 Wire Base w/Relay, 43mA
HSC-221R	HSC-221R	2 Wire Base w/Relay, 49mA
HSC-4R	HSC-4R	4 Wire Base w/Relay, 43mA
HSC-221L	HSC-221L	Heat detector base used with DFE series
HSC-224L	HSC-224L	Heat detector base used with DFE series
NS6-100	NS6-100	Heat detector base used with DFE and DCD



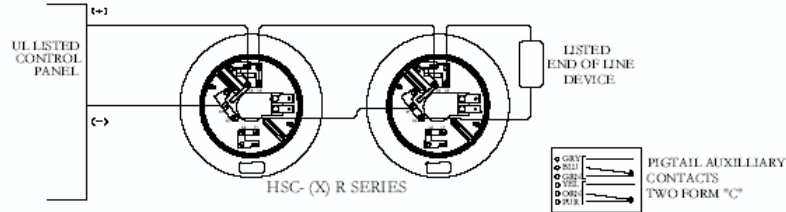
**NS4 AND NS6 SERIES BASE**

**2-WIRE OPERATION**



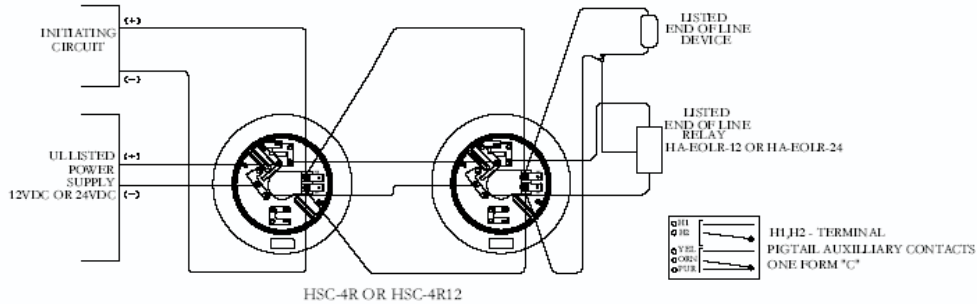
**HSC-(X)R RELAY BASE**

**2-WIRE OPERATION**



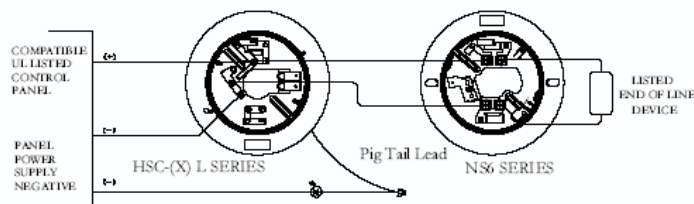
**HSC-4R FOUR WIRE BASE**

**4-WIRE OPERATION**



**HSC-(X) L LATCHING LED BASE**

**2-WIRE OPERATION**



**NOTICE:** The information contained in this document is intended only as a summary and is subject to change without notice. The products described have specific instructional/installation documentation, which covers various technical, approval, code, limitation and liability information. Copies of this documentation along with any general product warning and limitation documents, which also contain important information, are provided with the product and are also available from Harrington Signal Inc. The information contained in all of these documents should be considered before specifying or using the products. Any example applications shown are subject to the most current enforced local/national codes, standards, approvals, certifications, and/or the authority having jurisdiction. All of these resources, as well as the specific manufacturer of any shown or mentioned related equipment, should be consulted prior to any implementation. For further information or assistance concerning the products, contact Harrington Signal Inc. Harrington Signal Inc. reserves the right to change any and all documentation without notice. Quality manufactured for Harrington Signal Inc. Fire Alarm by Hochiki.