



# ET70WP-2475WFR

Weatherproof Low Profile Speaker Strobe

Harrington Signal Inc.  
 2519 4th Avenue, Moline, Illinois 61265  
 P.O. Box 590, Moline, Illinois 61266-0590  
 Phone: (800) 577-5758 Local: (309) 762-0731 Fax: (309) 762-8215  
 Internet: www.harringtonfire.com



## Description

Wheelock's Weatherproof Low Profile Speaker Strobe, Series ET70WP-2475W-FR appliance has an extended temperature range of -31°F to 150°F (-35°C to 66°C) that will satisfy virtually all outdoor and severe environment applications.

The Wheelock Weatherproof Speaker Strobe is designed for maximum performance, reliability, and cost effectiveness while meeting or exceeding the latest requirements of NFPA 72 (National Fire Alarm Code), UL Standard 1638 (Standard for Visual Signaling Appliances), and UL Standard 1480 (Standard for Speaker/Appliances).

The strobe has a 75 candela intensity on axis at -31°F (-35°C) and 180cd at 77°F (25°C) with low current draw. For outdoor applications the ET70WP-2475W-FR must be wall mounted to a Weatherproof Back Box (IOB). The speakers are designed for multiple power requirements with high dBA output at each power tap. The

low profile model offers a choice of field selectable taps. 1/8W to 8W for either 25.0 VRMS or 70.0 VRMS audio systems.

The low profile design incorporates a high efficiency speaker for maximum output at minimum power across a frequency range of 400 Hz to 4000Hz and features a sealed back construction for extra protection and improved audibility.

The low profile speaker strobes can provide non synchronized operation when directly connected to the Fire Alarm Control Panel, or sync-hronized strobe operation when used in conjunction with a Wheelock Sync Module (SM), Dual Sync Module (DSM), or Wheelock Power Supplies (PS-12/24-8CP and PS-12/24-8MP) with built-in patent-ed sync protocol.

The strobes use a Xenon flashtube with solid state circuitry enclosed in a rugged Lexan lens to provide maximum visibility and reliability for effective visible signaling.



## Features

- Approvals include: UL Standard 1638, UL Standard 1480, California State Fire Marshal (CSFM), and New York City (MEA) Pending, Factory Mutual (FM) and Chicago (BFP).
- Designed to meet or exceed NFPA/UFC/ANSI 117.1/OSHA Part 29, 1910.165, and ADA requirements.
- UL Standard 1638 and UL Standard 464 listed with extended temperature range of 31°F to 150°F (-35°C to 66°C).
- 24 VDC with new UL "Regulated" Voltage Range: of 16-33 VDC using filtered DC or unfiltered FWR voltage.

## Ordering Information

Model Number	Part Number	Description
ET70WP-2475WFR	ET70WP-2475WFR	Weatherproof Speaker/Strobe 75 Cd
ET70WP-2475WFW	ET70WP-2475WFW	Weatherproof Speaker/Strobe 75Cd
IOB-W	IOB-W	Indoor/Outdoor Back Box, White
IOB-R	IOB-R	Indoor/Outdoor Back Box, Red

### Features Continued

- Sync/Non-Sync strobe, Synchronize strobe with Series SM, DSM Sync Modules or PS-12/24-8CP and PS 12/24-8MP Power Supplies with built-in patented sync protocol.
- IN and OUT wiring termination that accepts two #12-18 AWG wires at each terminal.
- Inputs are polarized for compatibility with industry standard reverse polarity supervision.

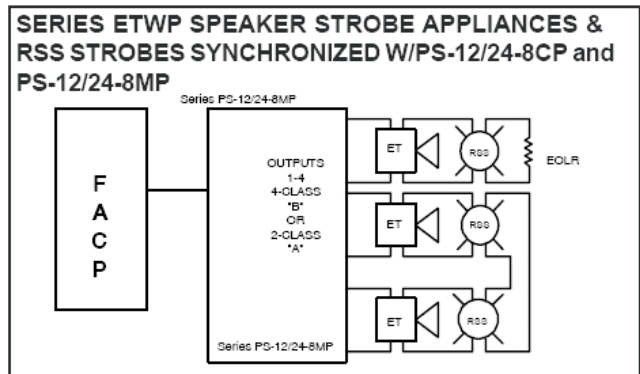
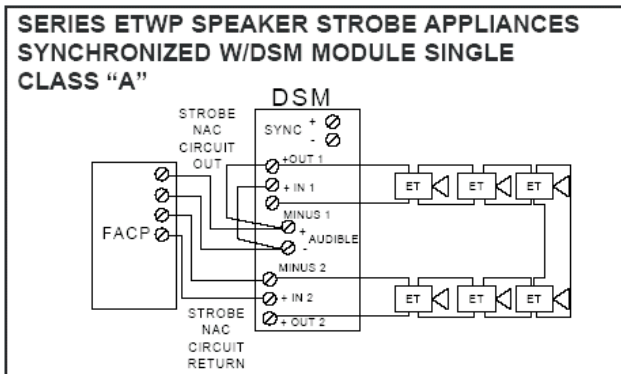
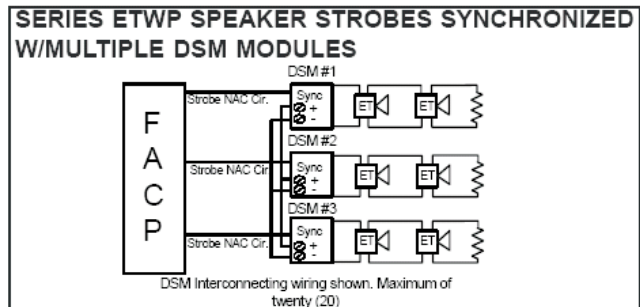
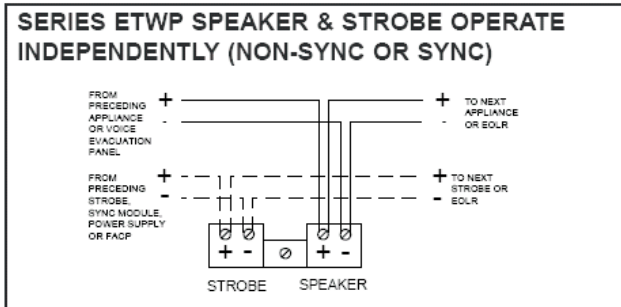
**Table 1: UL Listed Model and Rating - Speaker**

Model	Reverberant dBA @ 10 feet (UL 1480) Rated Watts								Anechoic dBA @ 10 feet @ 1 kHz Rated Watts							
	Voltage (VRMS)	1/8	1/4	1/2	1	2	4	8	1/8	1/4	1/2	1	2	4	8	
ET70WP-2475W	25/70	77	80	83	86	88	91	93	78	81	84	87	90	92	95	
ET70WP-2475C	25/70	77	80	83	86	88	91	93	78	81	84	87	90	92	95	

**Table 2: UL Listed Model and Candela Strobe Rating**

Voltage	*Rated Average Current	Rated Strobe Candela (cd)	
		@ 77°F (25°C)	@ -31°F (-35°C)
24.0 VDC	0.094	180cd	75cd
UL Max*	0.138		

\*RMS current ratings are per UL average RMA method. UL max current rating is the maximum RMS current within the listed voltage range (16-33v for 24v units). For strobes the UL max current is usually at the minimum listed voltage (16v for 24v units). For audibles the max current is usually at the maximum listed voltage (33v for 24v units). For unfiltered FWR ratings, see installation instructions.



NOTICE: The information contained in this document is intended only as a summary and is subject to change without notice. The devices described in this document have specific instruction sheets which cover various technical, limitation and liability information. Copies of these instruction sheets and the General Product Warning and Limitations Document, which also contains important information are provided with the product and are available from Harrington Signal Inc. Fire Alarm. Information contained in these documents should be consulted before specifying or using the product. For further information or assistance concerning particular problems contact Harrington Signal Inc. Harrington Signal Inc. Fire Alarm reserves the right to change specifications without notice. Quality manufactured for Harrington Signal, Inc. by Wheelock.