



DCD 135/190

Fixed Temperature/Rate of Rise Heat Detector

Harrington Signal Inc.
 2519 4th Avenue, Moline, Illinois 61265
 P.O. Box 590, Moline, Illinois 61266-0590
 Phone: (800) 577-5758 Local: (309) 762-0731 Fax: (309) 762-8215
 Internet: www.harringtonfire.com



Description

The DCD 135/190 fixed temperature/rate-of-rise heat detector are suited for installation where high heat output fires are expected or in areas where ambient conditions would not allow use of other detection methods. Heat detectors are intended for protection of property. Do not rely on heat detectors for life safety protection. Where life safety is a concern, smoke detectors must also be used. A UL listed fire alarm panel must electronically supervise the DCD 135/190 heat detectors.

All NS conventional devices are mechanically compatible with Hochiki/America HSB, HSC and YBA type bases. Please check individual panel listings for appropriate listed bases.

The DCD 135/190 fixed temperature/rate-of-rise heat detectors are suited to detect in the presence of slow or fast rising temperatures due to burning combustibles. The construction of

these models incorporate a thermistor heat element protected from damage by the built-in, durable plastic guard.

These electronic heat detectors incorporate two power/alarm LEDs for 360° indication of status. In standby condition the power LEDs latch flash Green.

In an alarm condition the LEDs latch on Red. The DCD 135/190 electronic heat detection circuitry performs the same function as a Mechanical Device but with Electronic Precision. If the heat rise is less than 12°/minute the DCD will not alarm until it reaches its alarm temperature (135° or 190° ± 7.5°F). If the heat rise is greater than 12°/minute the DCD will alarm immediately giving an early warning signal and latching the Red alarm LEDs on.



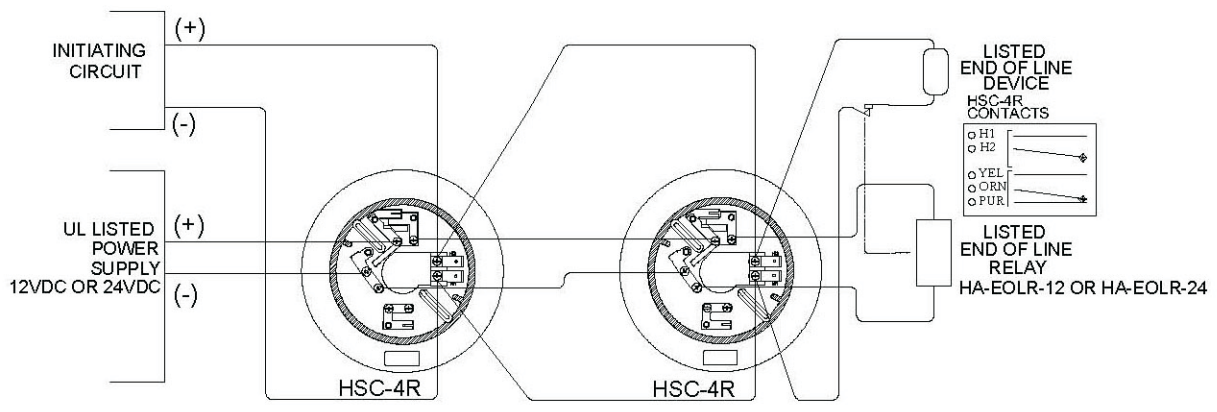
Features

- UL Listed spacing up to 60' by 60'
- Choice of fixed temperature/rate-of-rise 135°F or 190°F Heat Detector
- 2 or 4 wire base compatibility, relay bases available
- Highly stable operation, RF/Transient protection
- Low standby current, 35µA nominal
- Two built-in power/alarm LEDs for 360° viewing
- Fully Electronic Operation
- Power/Alarm LEDs confirm detector status
- Compatible with Hochiki SLR-24V and SJG-24 detectors and their bases

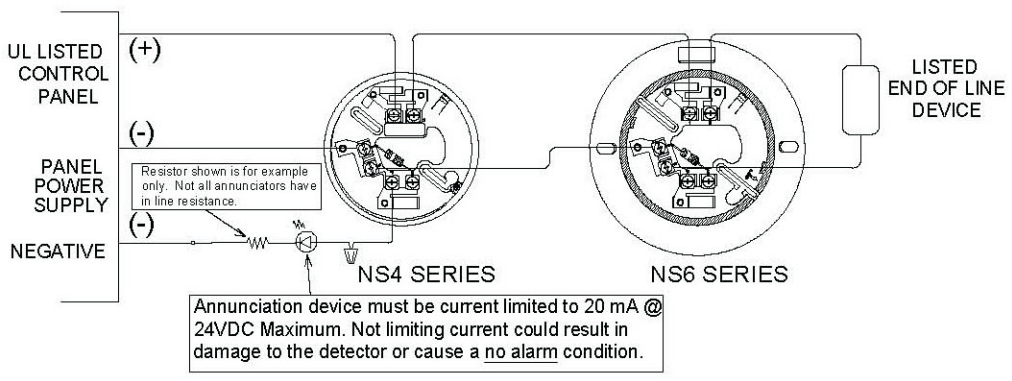
Ordering Information

Model Number	Part Number	Description
DCD135	DCD135	135 Degree Fixed Heat Detector
DCD190	DCD190	190 Degree Fixed Heat Detector

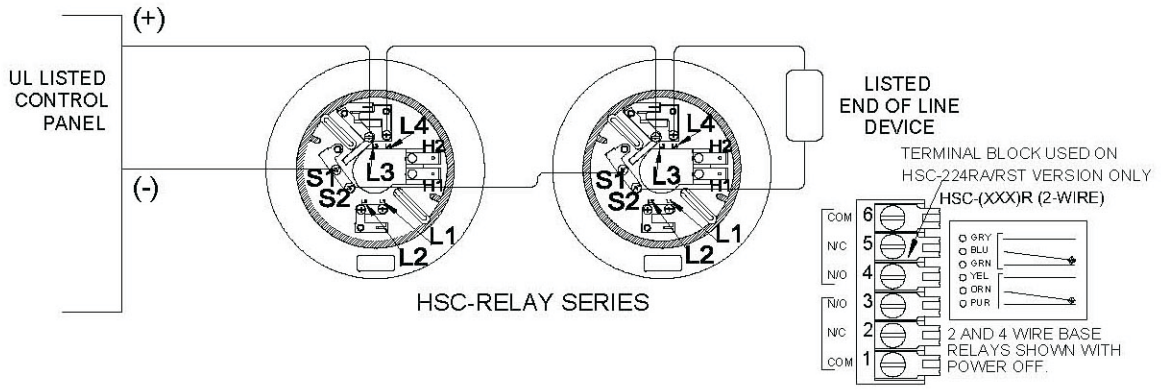
4-WIRE OPERATION



2-WIRE OPERATION



2-WIRE RELAY OPERATION



NOTICE: The information contained in this document is intended only as a summary and is subject to change without notice. The devices described in this document have specific instruction sheets which cover various technical, limitation and liability information. Copies of these instruction sheets and the General Product Warning and Limitations Document, which also contains important information are provided with the product and are available from Harrington Signal Inc. Fire Alarm. Information contained in these documents should be consulted before specifying or using the product. For further information or assistance concerning particular problems contact Harrington Signal Inc. Harrington Signal Inc. Fire Alarm reserves the right to change specifications without notice. Quality manufactured for Harrington by Hochiki.