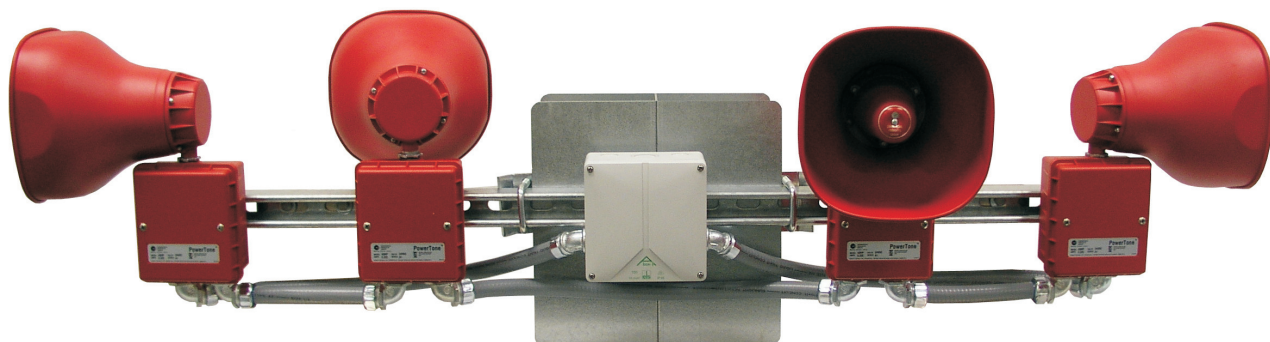


Harrington Signal Inc.  
2519 4th Avenue, Moline, Illinois 61265  
P.O. Box 590, Moline, Illinois 61266-0590  
Phone: (800) 577-5758 Local: (309) 762-0731 Fax: (309) 762-8215  
Internet: www.harringtonfire.com



### Description

Harrington Signal Inc Model ASHP PowerTone® Amplified Speaker Clusters produce a crisp, clear, high decibel tone and / or voice signal. A tone can be generated by using the U-TC card, or a voice can be generated by any 25 or 70Vrms audio system with the PTCK card. The speaker cone and projector is made of spun aluminum.

The speaker cluster may be mounted to an I-beam. A cluster comes with four ASHP PowerTone® speakers for 360° coverage. The ASHP is suited for areas with high ambient noise levels and where a unique audible signal is required.

The circuitry and connector card

are contained in a dust and moisture proof sealed die-cast red aluminum housing. An internal gain control allows for volume adjustment.

### Application

The Amplified Speaker is suited for areas with high ambient noise levels and where unique audible signal is required. When used with a tone generator or voice evac system and a PTCK25 or PTCK70 connector card the speaker can reproduce and amplify the audio signal.

For a single tone application the amplified speaker is polarized and with the U-TC universal tone connector card can be used with a reverse polarity NAC circuit.

### Features

- Operating Voltage 24 VDC polarized
- Operating Current: 4 speaker cluster: 1.04 alarm, 0.18A standby
- Wide selection of tones (U-TC)
- Multiple tone capability
- Voice capable with PTCK audio connector card
- Dust and moisture proof sealed die-cast aluminum housing
- 4 speaker cluster for 360° coverage Indoor and outdoor mounting
- Temperature Range: -40° to 151°F

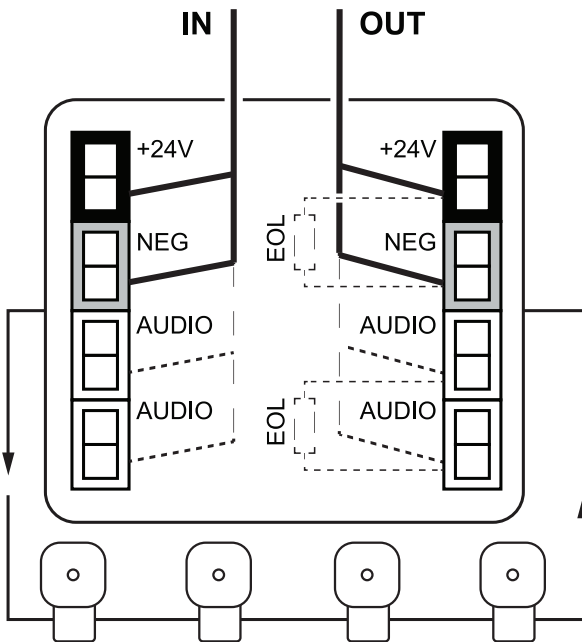
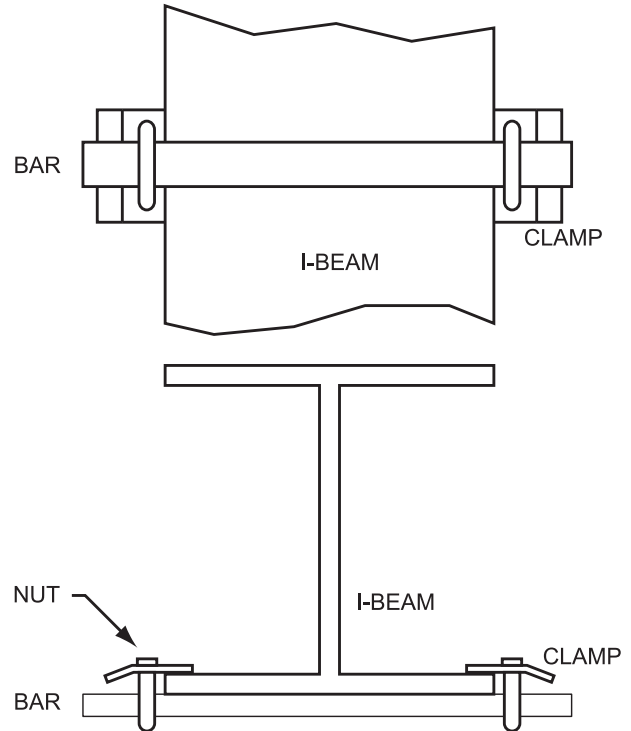
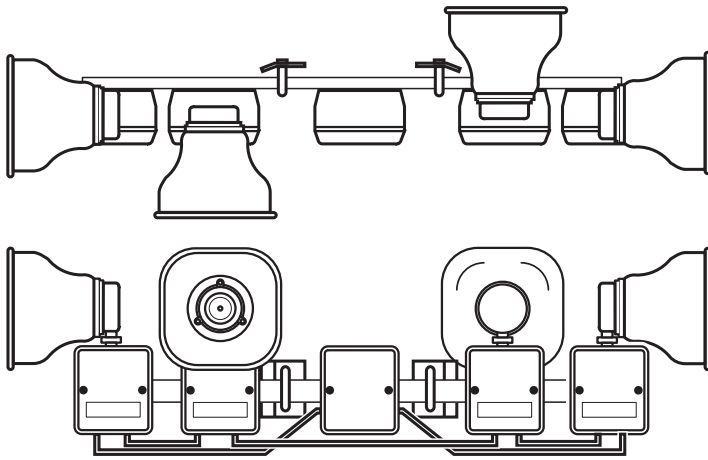
### Ordering Information

Model Number	Part Number	Description
ASHP-4CLMR-U	ASHP-4CLMR-U	4 ASHP Speakers with U-TC Tone Card
ASHP-4CLMR-25	ASHP-4CLMR-25	4 ASHP Speakers with PTCK-25 Audio Card
ASHP-4CLMR-70	ASHP-4CLMR-70	4 ASHP Speakers with PTCK-70 Audio Card

## Specifications

The amplified speakers shall be listed by a National Recognized Testing Laboratory (NRTL) for fire alarm signaling use. Alarm notification appliances shall be Harrington Signal Inc. Model ASHP Cluster Series. Amplified speakers shall be mounted in a cluster of 4 ASHP-24SMR PowerTone® amplified speakers for 360 degree sound coverage. The amplified speakers shall be polarized to allow connecting of a 24vdc reverse polarity NAC circuit, using a plug-in universal tone connector card (U-TC). The amplified speaker shall be solid-state circuitry and be housed in a die-cast, dust and moisture proof aluminum housing which is NEMA 3 rated. The speaker cone and projector shall be of spun aluminum. The amplified speakers shall be capable of clearly reproducing any number of HSI tones and voice evacuation signals. The amplified speakers shall be compatible with any 25 or 70Vrms audio system using the PTCK25 or PTCK70 connector card. The amplified speakers shall have an internal gain control for tone of indoor or outdoor mounting.

Tone Card Sound (Model UTC)			Audible Frequency (Hz)	Repetition rate (cycles/min)	Audibility	
Selection	Name	Description			dB(A) Sound Power	UL dB(A) Sound Pressure
TM1	Wail	Conventional siren	550-1250	11	118.1	97.5
TM2	Yelp	Rapid siren	550-1250	3.3 Hz	118.0	97.4
TM3	Hi-Lo	Alternating high and low	560 and 760	50	116.9	96.3
TM4	Bell	Bell, struck repeatedly	800	50	115.8	95.2
TM5	Yeow	Descending high to low, repeated	1300 and 550	36	118.0	97.4
TM6	Horn	Steady horn	470	Continuous	112.2	91.6
TM7	Beep	Slow intermittent horn	470	50	110.8	90.2
TM8	Stutter	Rapid intermittent horn	470	5	110.3	89.7
TM9	Slow Whoop	Slow ascending, low to high – repeated	420 and 1160	15	116.1	95.5
TM10	Temporal Slow Whoop	NFPA coded slow whoop (fire alarm use only)	420 and 1160	15	113.9	93.3
Connector card model		Rated voltage				
PTCK25		25 VRMS			108.7	94.4
PTCK70		70 VRMS			109.0	94.1



IF THIS CLUSTER IS THE LAST DEVICE ON THE CIRCUIT, PLACE END-OF-LINE DEVICE ACROSS THE "OUT" TERMINALS, ACCORDING TO CONTROL UNIT MANUFACTURER'S INSTRUCTIONS.

AUDIO SIGNAL WIRING IS FOR PTCK MODELS ONLY.

290A0100

NOTICE: The information contained in this document is intended only as a summary and is subject to change without notice. The devices described in this document have specific instruction sheets which cover various technical, limitation and liability information. Copies of these instruction sheets and the General Product Warning and Limitations Document, which also contains important information are provided with the product and are available from Harrington Signal Inc. Fire Alarm. Information contained in these documents should be consulted before specifying or using the product. For further information or assistance concerning particular problems contact Harrington Signal Inc. Harrington Signal Inc. Fire Alarm reserves the right to change specifications without notice.

Call for availability on items not listed in the ordering information