

Harrington Signal Inc.
2519 4th Avenue, Moline, Illinois 61265
P.O. Box 590, Moline, Illinois 61266-0590
Phone: (800) 577-5758 Local: (309) 762-0731 Fax: (309) 762-8215
Internet: www.harringtonfire.com



Description

The GX93 Series mini-horn is a high quality remote audible signaling appliance that offers dependable remote annunciation. The GX93 is ideal for applications where a dependable audible alarm signal is required in applications such as hotels, dormitories and apartments. The GX93 is listed for use with both filtered and unfiltered power and a jumper is provided to select either temporal 3 or continuous tone.

The GX93 can be used on the same sync circuit (AVSM Series Control Module) as other Gentex signals. The GX93 Series is ANSI/UL 464 listed for use with fire protective systems and are warranted for three years from the date of purchase.

Features

- Single unit is capable of 12 or 24 VDC determined by the input voltage
- Unit dimensions: 4.48" (11.38 cm) high x 2.84" (7.21 cm) wide x 0.5" (1.27 cm) deep
- Jumper selectable temporal 3 or continuous tone
- Horn frequency is 3100HZ
- Terminal Blocks (12AWG to 18 AWG)
- Low current consumption
- Variety of mounting options for new construction and retrofit applications
- Synchronize using the Gentex AVSM Series control module (see Technical Bulletin 015)
- Textured finish high impact plastic faceplate, available in red or off-white
- Operating Temperature - Indoor use only -32°F to 120°F (0°F to 49°C)



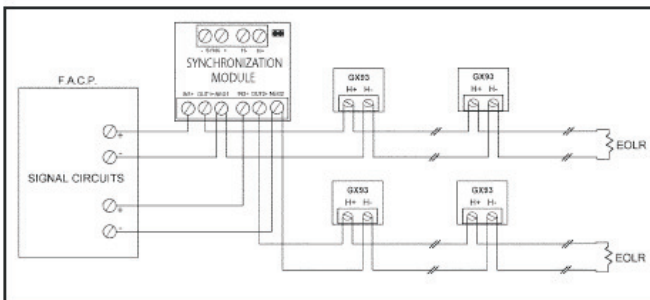
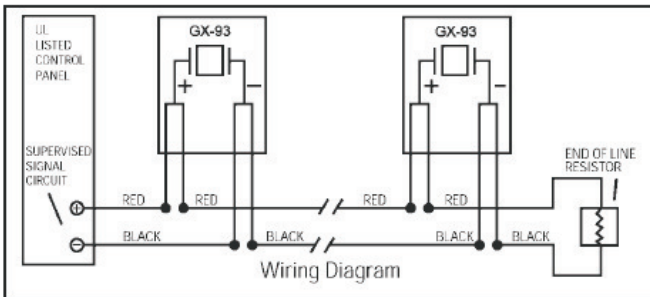
Ordering Information

Model Number	Part Number	Description
GX-93-R	GX-93-R	12/24 Volt Mini-Horn, Red
GX-93-W	GX-93-W	12/24 Volt Mini-Horn, White

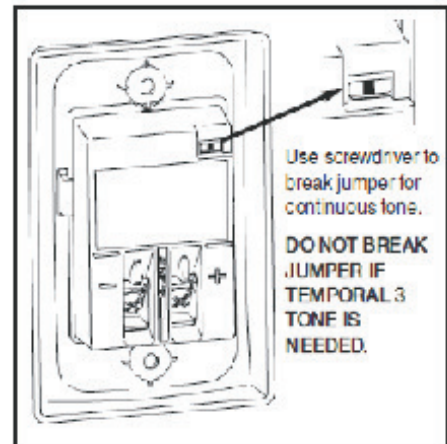
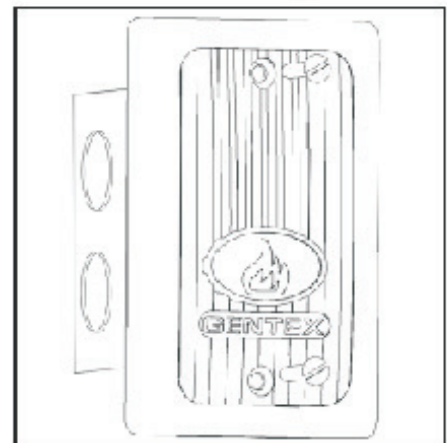
Architect & Engineering Specifications

The alarm horns shall be Gentex Model GX93. The appliance shall be listed with Underwriters Laboratories (ANSI/UL) for use with fire protective signaling systems (ANSI/UL 464) and produce a peak sound output of 90dBA or greater as measured in an anechoic chamber. The appliance shall be of solid-state construction and be polarized to operate from 8-33VDC with a 22mA current drain at 24VDC. The appliance shall be provided with 2 terminals, and mount to a variety of single-gang back boxes.

Mini-Horn Wiring



Mini-Horn Mounting



Specifications

Operating temperature - Indoor use only
Indoor: 32° to 120°F (0° to 49°C)

GX93 Current Ratings	
24 VDC	22mA
24 VDC UL Max ¹	18mA
12 VDC UL Max ¹	13mA

¹RMS current ratings are per ANSI/UL average RMS method. ANSI/UL max current rating is the maximum RMS current within the list voltage range (16-33VDC for 24VDC units) (8-17VDC units for 12VDC units). For strobes the ANSI/UL maximum current is usually at the minimum listed voltage (16VDC for 24VDC units) (8VDC for 12VDC units). For audibles the max current is usually at the maximum listed voltage. For unfiltered FWR ratings, see installation manual.

Horn Mode	Minimum SPL at 100 feet per ANSI/UL 464 at 24VDC	Minimum SPL at 100 feet per ANSI/UL 464 at 12VDC	Reverberant dBA at 10 feet per ANSI/UL 464	In Anechoic Room dBA @ 10 ft.
Temporal 3	81 dBA	78 dBA	78-86	90
Continuous	86 dBA	83 dBA	78-86	90

NOTES: The sound output for the temporal 3 tone is rated lower since the time the horn is off is averaged into the sound output rating. While the horn is producing a tone in the temporal 3 mode its sound pressure is the same as the continuous mode.

NOTICE: The information contained in this document is intended only as a summary and is subject to change without notice. The devices described in this document have specific instruction sheets which cover various technical, limitation and liability information. Copies of these instruction sheets and the General Product Warning and Limitations Document, which also contains important information are provided with the product and are available from Harrington Signal Inc. Fire Alarm. Information contained in these documents should be consulted before specifying or using the product. For further information or assistance concerning particular problems contact Harrington Signal Inc. Harrington Signal Inc. Fire Alarm reserves the right to change specifications without notice Quality manufactured for Harrington Signal Inc. By Gentex Corporation.

Call for availability on items not listed in the ordering information